

GENIE NKF1 EXTRACT FANS

POWERFUL KITCHEN EXTRACT FAN WITH
LOW NOISE AND EASY MAINTENANCE.



BENEFITS

MEETS REGULATIONS

Complies with Building Regulations.

EXCELLENT PERFORMANCE

Suitable for high moisture producing rooms such as kitchens and utility rooms.

EXTREMELY QUIET

Utilising market leading motors to produce the quietest of AC fans.

QUICK & EASY INSTALLATION AND MAINTENANCE

Clip in push fit components ensure reduced time on site.

ECONOMICAL

Low running costs.

COMPLETE USER SAFETY

Robust flame retardant construction.

FLEXIBLE SOLUTION

Suitable for surface or semi-recessed mounting available in 23v and 12v with choice of controls.

EASY TO CLEAN

Simply remove filter and wash in warm soapy water.

WARRANTY

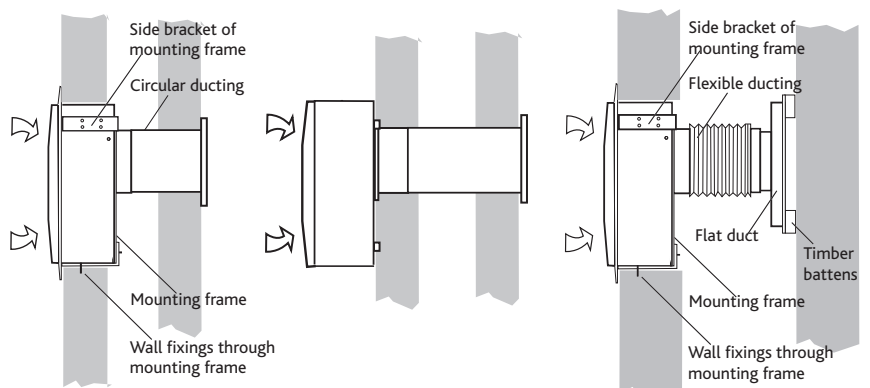
5 year warranty for peace of mind.

Easily removed and cleaned filters.



Simple clip in fan and motor assembly.

MOUNTING OPTIONS



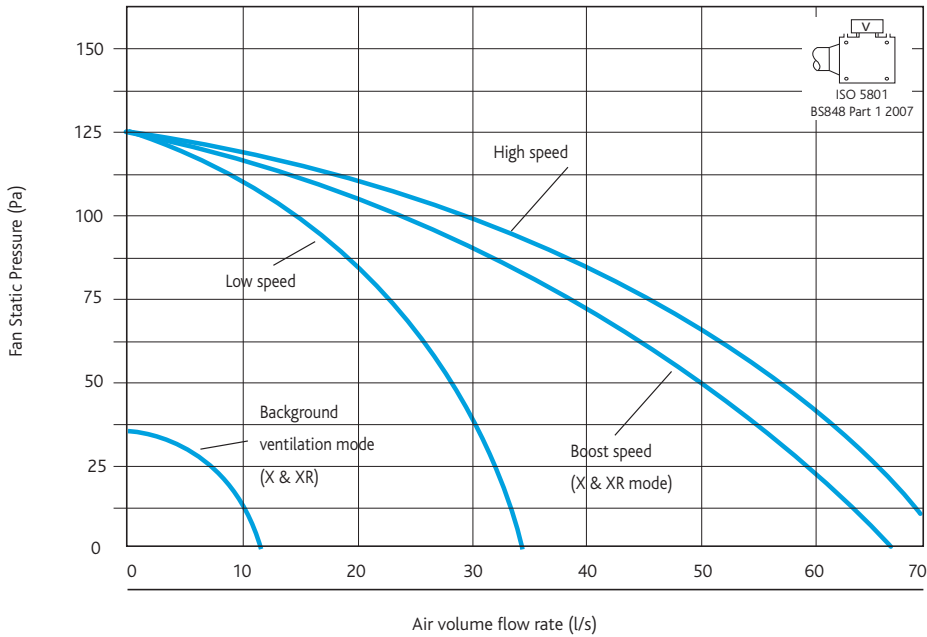
Semi-recessed mounted - wall.

Surface mounted - wall.

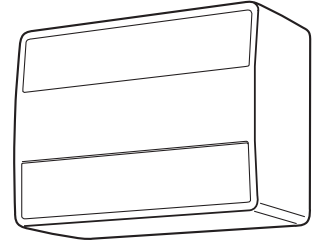
Flexible duct installation.

PERFORMANCE - GENIE NKF1 EXTRACT FANS

Genie NKF1



Casing



Code descriptions

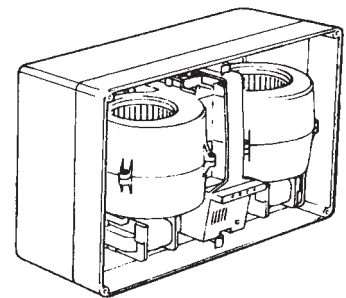
NKF1 - RS

1 2

1. Genie kitchen fan range
2. Control function

GENIE NKF1 FANS - RANGE AND CONTROL FUNCTION

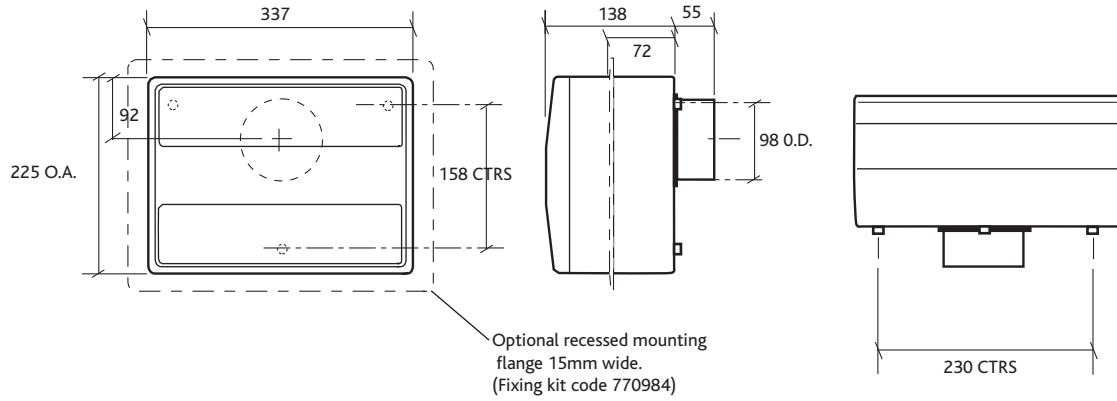
Code	Operating Voltage	dBA@3m	Control Function
NKF1	230	43/18	off/low/high speed control via integral pullcord.
NKF1-RS	230	43/18	on/off and low/high speed control via remote switch (supplied).
NKF1-STD	230	43	on/off high speed control via light switch link or remote fan switch (by others).
NKF1-H	230	43/18	off/low/high speed control via integral pullcord with automatic override to high speed via integral adjustable humidistat.
*NKF1-X	230	43/15	continuous background ventilation at imperceptible noise level with boost via integral pullcord.
*NKF1-XR	230	43/15	continuous background ventilation at imperceptible noise level with boost via remote switch (by others).



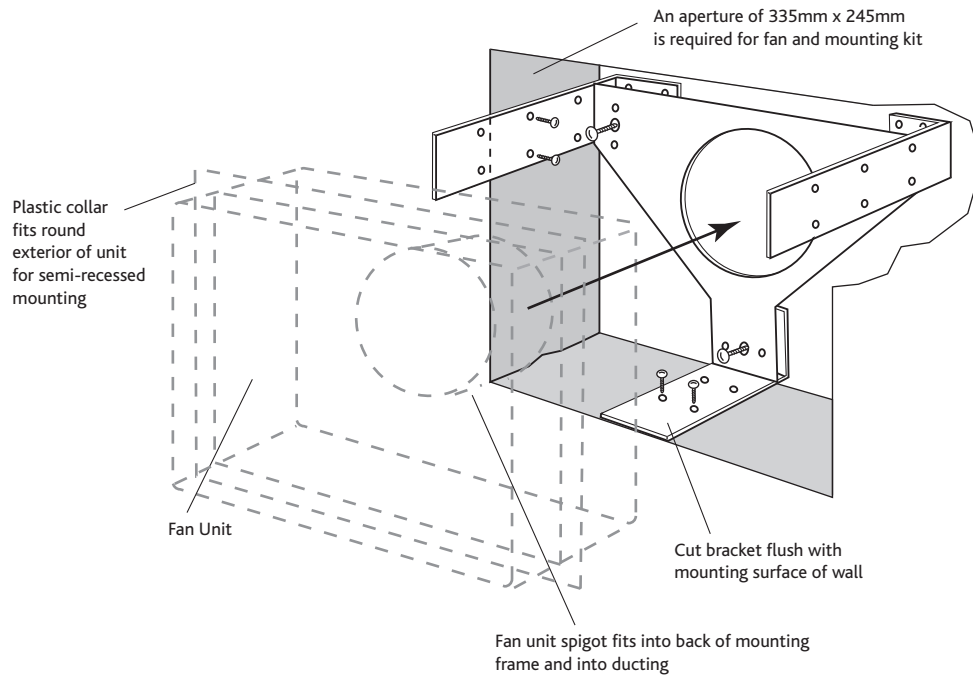
Fan with cover removed.

DIMENSIONS (MM)

Duct mounted

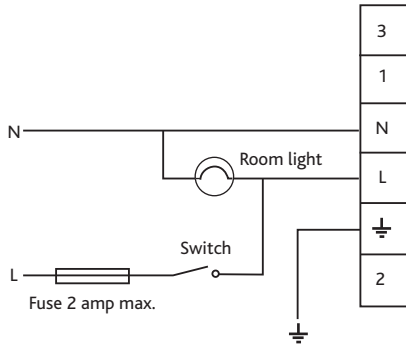


SEMI-RECESSED FRAME KIT MOUNTED IN WALL APERTURE.

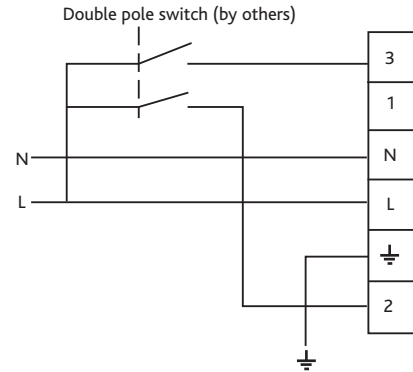


WIRING - GENIE NKF1 FANS

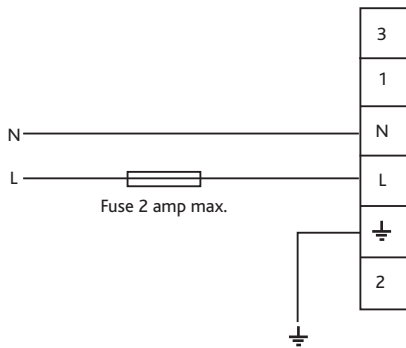
Unit ventilating one room. Single speed (room switch option NKF1STD only).



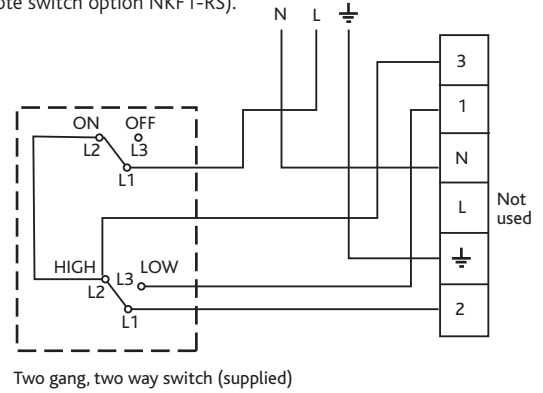
Unit ventilating one room. (continuous trickle ventilation with boost via remote double pole switch NKF1-XR).



Unit ventilating one room. Two speed (pull cord option NKF1, NKF1H, NKF1-X).



Unit ventilating one room. Two speed (remote switch option NKF1-RS).



CONSULTANTS SPECIFICATION

GENIE NKFI KITCHEN FAN

The unit shall be manufactured by Nuaire.

The unit shall be surface mountable incorporating a push fit, washable filter with the area of 34,750mm² and capable of conversion, if necessary, to semi-recessed format using optional flange.

Unit noise levels shall not exceed 43dBA@3m.

The unit shall incorporate an injection moulded, forward curved centrifugal impeller. The impeller shall be directly driven by a motor fitted with sealed, self lubricating bearings and thermal overload protection.

The fan/motor assembly and the unit control assembly shall be capable of replacement as "plug in" modules without disturbing the unit field wiring.

The unit shall be designed for quiet operation to ensure complete occupant satisfaction. The unit code, mounting type, operating voltage and control function shall be as shown in the performance table.

The unit shall be supplied with a 5 year warranty.