

## SLIMAIRE 230V & 12V SINGLE SPEED FANS

EXCEPTIONALLY QUIET, HIGH PERFORMANCE EXTRACT FANS FOR  
WALL AND CEILING APPLICATIONS.



## BENEFITS

### MEETS REGULATIONS

Part F Building regulations compliant.

### ULTRA MODERN DESIGN

Provides an unobtrusive installation and occupant acceptability.

### IPX4 SPLASHPROOF

Can safely be installed in Zones 1 and 2.

### QUIET RUNNING

For occupant acceptability.

### EASY INSTALLATION

Can be surfaced mounted or recessed.

### FLEXIBLE SOLUTIONS

Wide range of options to cover toilet, bathroom, utility and kitchen applications.

### MAINTENANCE

Clip of cover of access to clean.

### FAN INDICATOR LIGHT

Showing the fans operation.

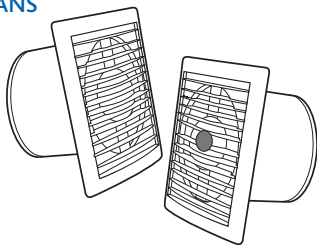
### FIXED BACK DRAUGHT SHUTTERS

Prevents draughts when fan not in operating mode.

### 1 YEAR WARRANTY

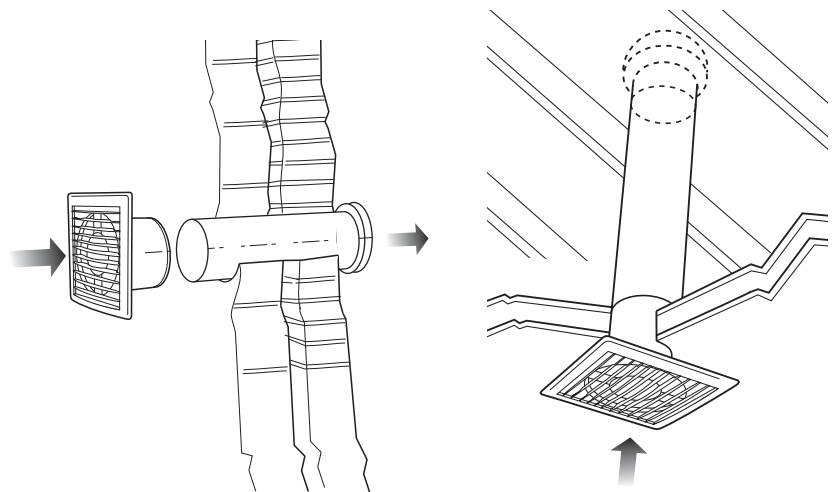
For peace of mind.

### SLIMAIRE 100 & 150 SINGLE SPEED FANS



The Nuaire slimline range of axial fans incorporates 12 models complete with fixed back draught shutters. The fans have been specifically designed to ventilate small rooms such as toilets, bathrooms, shower rooms, utility rooms and kitchens and are ideal for wall, ceiling or panel installation. The units extract directly to outside or through a short length of ducting.

### MOUNTING OPTIONS



Wall mounting with outside grille.

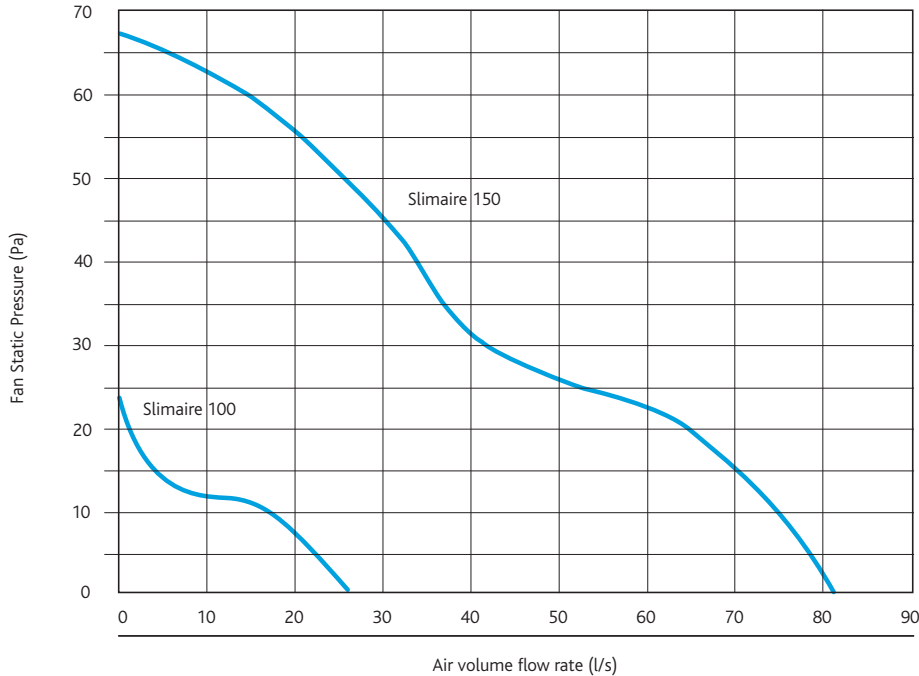
Ceiling mounting with outside roof cap.

## EXTRACT

### SLIMAIRE SINGLE SPEED

#### TECHNICAL INFORMATION

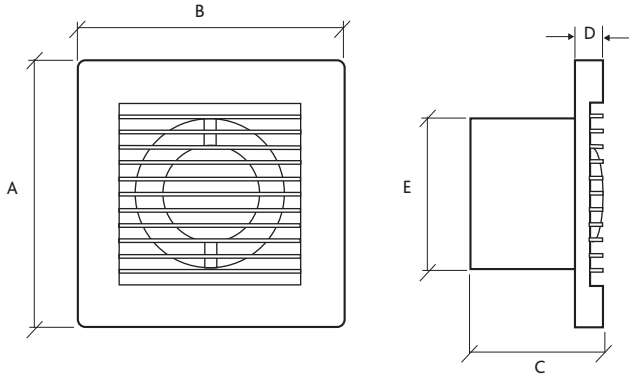
#### PERFORMANCE SLIMLINE 100 & 150 SINGLE SPEED FANS



#### SLIMLINE 100 & 150 - RANGE & CONTROL FUNCTION

Code	dB(A)@3m	Operating voltage	Control function
SLIMAIRE 100/150	40/49	230	Standard version operated by remote switch.
SLIMAIRE 100PC/150PC	40/49	230	Standard version operated by pull cord.
SLIMAIRE 100T/150T	40/49	230	With integral overrun timer - the fan should be operated by a remote switch which can also serve to switch the room light on and off. After the light is switched off, the fan will continue to operate for a minimum of 3 minutes (adjustable to a maximum of 25 minutes) by turning the trimmer in a clockwise direction.
SLIMAIRE 100HT/150HT	40/49	230	With integral humidistat and overrun timer - the adjustable, electronic humidistat is pre-set so that the fan will operate automatically when the moisture content in the room reaches a pre-set level of relative humidity. The fan will continue to run until the relative humidity falls below the pre-set level. This level can be adjusted by turning the trimmer on the fan. This fan can be operated by a remote switch or light switch allowing operation of the fan independently of the humidistat. The overrun timer, which will always make the fan continue to operate for the pre-set length of time even after it has been manually switched off, can be adjusted as described above.
SLIMAIRE 100PIR/150PIR	40/49	230	With integral sensor and overrun timer - the fan will start to operate automatically when it detects the presence of a person. After the room is vacated, the fan will continue to operate for a minimum of 3 minutes (adjustable to a maximum of 25 minutes) by turning the trimmer in an anti-clockwise direction.
SLIMAIRE 100-12	40	12	This version must be installed using the remote transformer supplied (see current IEE Regulations for guidance).
SLIMAIRE 100T-12	40	12	With integral overrun timer adjusted as above. This version must be installed using the remote transformer supplied (see current IEE Regulations for guidance).

**DIMENSIONS (MM) - SLIMLINE 100 & 150 SINGLE SPEED FANS**

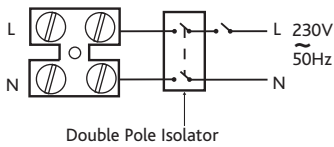


**DIMENSIONS (mm) & WEIGHTS**

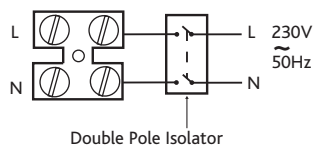
Unit	A	B	C	D	E dia.	Weight (Kg)
SLIMAIRE 100	160	160	81	17	97	0.42
SLIMAIRE 150	200	200	119	22	149	1.04

**WIRING - SLIMLINE 100 & 150 SINGLE SPEED FANS**

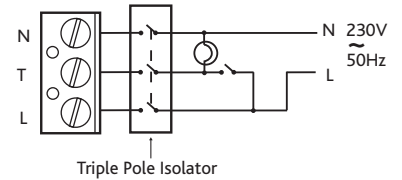
**SLIMAIRE 100/150** with remote switch.



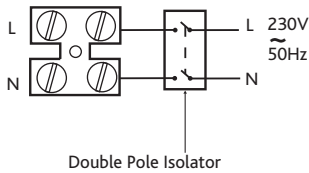
**SLIMAIRE 100PC/150PC** with pullcord.



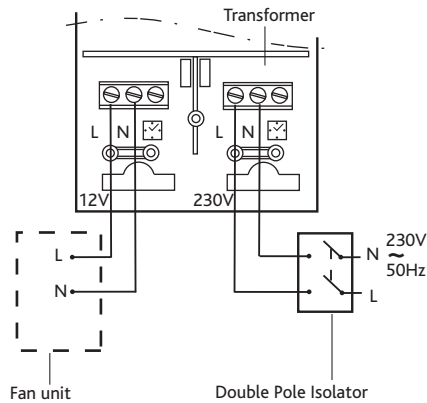
**SLIMAIRE 100T/150T** via light switch (or remote switch).



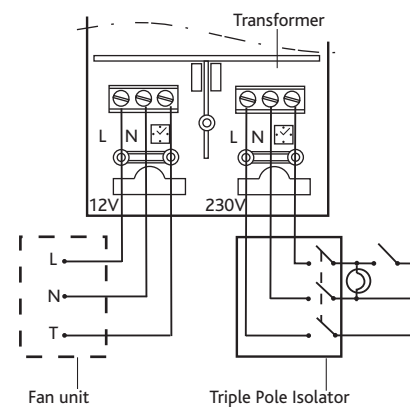
**SLIMAIRE 100/150HT** PIR with Humidistat and Integral sensor.



**SLIMAIRE 100-12, 12V** Must be installed with remote transformer.



**SLIMAIRE 100T-12, 12V** via light switch (or remote switch). Must be installed with remote transformer.



## CONSULTANTS SPECIFICATION

### SLIMAIRE 100 & 150 SINGLE SPEED FANS

Supplied by Nuaire Ltd the fan is to be suitable for installation either into a ceiling, wall or panel (with the appropriate accessories) There should be a neon on the front of the fan to indicate when it is operating. The fan casing should be made of shockproof, high quality technopolymer, contain double insulated motors of shaded poly type mounted on self-lubricating, sealed ball bearings for long life, and be protected with a thermal cut-out.. The fan should be double insulated and be suitable for installation into Zones I and II. The fan is to be CE marked and comply with current EC Low Voltage Directive EMC89/336 and with BSEN60529. The fan should finally comply with Building Regulations requirements for installation into a utility room.

### SLIMAIRE 100X & 150X TWIN SPEED FANS

Supplied by Nuaire, this fan can either be for installation in a wall, panel, ceiling or window (with optional kit). The fan should have three speeds, allowing a choice of one of the two lower speeds for quiet, continuous operation at installation. The user should be able to boost the fan to its maximum speed as necessary. The fan should be made of shockproof high quality polymer and have a maintenance free, self lubricating sleeve bearing motor for long life and incorporates thermal cut-out.. The fan should be double insulated, splashproof and CE marked. The fan should comply with Kitchen and Bathroom requirements of System 3, Part F1 of the Building Regulations. It should be capable of operation up to 9 l/sec, at 4 Pa, 2.6 watts at low speed 1, and at 12 l/sec, 14 Pa and 4.8 watts at low speed 2. Finally the fan should comply with EN 60335-2-80, EC Low Voltage Directive LVD 2006/95/CE and EC Directive EMC2004/108 and be CE marked.