

NATURAL VENTILATION ANCILLARIES

67

ANCILLARY TYPE	PAGE
VOLUME CONTROL DAMPERS	69
LOUVRES	69
ROOF TERMINALS	69
CHAIN ACTUATORS	69
DIFFUSERS	70
GRILLES	70
ENERGY SAVING CONTROLS & CO ₂ SENSORS	71

NATURAL VENTILATION ANCILLARIES

LOW ENERGY NATURAL VENTILATION ANCILLARY SOLUTIONS
DESIGNED FOR COMPLETE INTEGRATION.



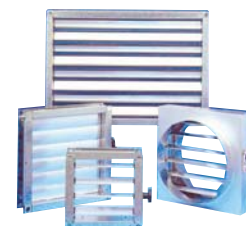
PURPOSE BUILT WAREHOUSE FACILITIES



VOLUME CONTROL DAMPERS

An extensive, cost effective range of system balancing dampers and back draft shutters designed to offer high quality, long life and effective control.

Manual or motorised operation, circular or rectangular to suit your requirements with aerofoil bladed dampers ensure minimum resistance to airflow. Contact Nuaire with project specific requirements.



LOUVRES

Nuaire have a wide range of internal and external louvres. Manufactured from aluminium extrusion and are fabricated and tig welded to provide strength and durability. Standard finish is milled aluminium, however powder coated to RAL/BS colours are available.

Internal louvres are non-vision cover grille (motorised) supplied with 24V modulating actuator. When closed internal louvres provide air leakage of 9.7m³/hour/m² at 50Pa pressure and a U-value of 1.10W/m²K (as per BS6375 standard).

For project specific requirements contact Nuaire.



FIXED BLADE LOUVRES

Below is the standard range of stocked louvres available next day. For project specific requirements contact Nuaire.

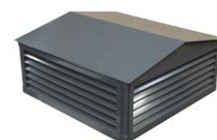
Code	Description	Code	Description
NVFB150	150 x 150mm, satin anodised finish	NVFB200	200 x 200mm, satin anodised finish
NVFB250	250 x 250mm, satin anodised finish	NVFB400	400 x 400mm, satin anodised finish
NVFB300	300 x 300mm, satin anodised finish	NVFB500	500 x 500mm, satin anodised finish
NVFB350	350 x 350mm, satin anodised finish	NVFB600	600 x 600mm, satin anodised finish
NVFB450	450 x 450mm, satin anodised finish		
NVFB550	550 x 550mm, satin anodised finish		



ROOF TERMINALS, RECTANGULAR & CIRCULAR

A wide selection of roof terminals are offered to provide the answer to weathering roof penetration quickly and easily.

Manufactured from aluminium and complete with removeable panels and bird/vermin mesh. Louvre blades designed for weatherproofing; double and triple bladed systems available. Roof terminals sized to individual application and minimum free area requirements. Powder coated colours available to RAL/BS.



CHAIN ACTUATORS

Nuaire have an extensive range of chain actuators for single, group or zoned operation from manually operated switches, remote controls or automated controls panels linked to sensors for everyday ventilation requirements.

Chain actuators are supplied in a range of opening strokes finishes, swivel brackets are included as standard which are suitable for the majority of applications. The actuator contains torque overload and end limit switches.



NATURAL VENTILATION

ANCILLARIES

TECHNICAL INFORMATION

DIFFUSERS

A high quality range of general purpose diffusers suitable for most supply and extract applications.

Below is an indication of the standard stock range available next day. Nuair can also provide project specific diffusers designed to suit your requirements.

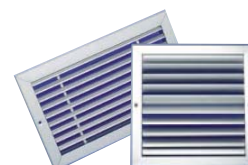


GRILLES

This extensive, cost effective range of grilles have been designed to offer high quality, long life and an attractive finish. Manufactured from quality aluminium construction for maintenance free long life. The design has a high cross sectional free areas for maximum volume flow rates.

Available in natural, silver anodised or colour finishes where available to suit the application requirement.

Below is an indication of the standard stock range available next day. Nuair can also provide project specific diffusers designed to suit your requirements.



DOUBLE DEFLECTION GRILLES (WHITE FINISH)

Code	Description	Code	Description
NVDD100WH/OBD	White grille 100 x 100mm	NVDD150WH	White grille 150 x 150mm
NVDD150WH/OBD	White grille 150 x 150mm, with opposed blade damper	NVDD200WH	White grille 200 x 200mm
NVDD200WH/OBD	White grille 200 x 200mm, with opposed blade damper	NVDD250WH	White grille 250 x 250mm
NVDD250WH/OBD	White grille 250 x 250mm, with opposed blade damper	NVDD300WH	White grille 300 x 300mm
NVDD300WH/OBD	White grille 300 x 300mm, with opposed blade damper	NVDD450WH	White grille 450 x 450mm



SINGLE DEFLECTION GRILLES (SATIN ANODISED)

Code	Description	Code	Description
NVSDG150	Satin anodised grille 150 x 150mm	NVSDG300	Satin anodised grille 300 x 300mm
NVSDG200	Satin anodised grille 200 x 200mm	NVSDG350	Satin anodised grille 350 x 350mm
NVSDG250	Satin anodised grille 250 x 250mm		



EGGCRATE GRILLES (WHITE FINISH)

Code	Description	Code	Description
NVEC100WH	White grille 100 x 100mm	NVEC100WH/OBD	White grille 100 x 100, with opposed blade damper
NVEC150WH	White grille 150 x 150mm	NVEC150WH/OBD	White grille 150 x 150, with opposed blade damper
NVEC200WH	White grille 200 x 200mm	NVEC200WH/OBD	White grille 200 x 200, with opposed blade damper
NVEC250WH	White grille 250 x 250mm	NVEC250WH/OBD	White grille 250 x 250, with opposed blade damper
NVEC300WH	White grille 300 x 300mm	NVEC300WH/OBD	White grille 300 x 300, with opposed blade damper
NVEC350WH	White grille 350 x 350mm	NVEC400WH/OBD	White grille 400 x 400, with opposed blade damper
NVEC400WH	White grille 400 x 400mm	NVEC450WH/OBD	White grille 450 x 450, with opposed blade damper
NVEC450WH	White grille 450 x 450mm	NVEC595WH/OBD	White grille 595 x 595, with opposed blade damper
NVEC595WH	White grille 595 x 595mm		



EGGCRATE GRILLES (SATIN ANODISED)

Code	Description	Code	Description
NVEC1120	Square duct (1070mm sq neck, 1135mm sq outside)	NVEC645	Square duct (600mm sq neck, 660mm sq outside)
NVEC720	Square duct (677mm sq neck, 737mm sq outside)	NVEC820	Square duct (773mm sq neck, 833mm sq outside)



CONTROLS | Nuair can provide project specific controls as simplistic as controlling window actuators through to controlling a range of dampers, actuators, CO₂ sensors etc.

SUNPIPES | Contact Nuair for further details.

ENERGY SAVING CONTROLS & CO₂ SENSORS

NUAIRE CAN PROVIDE PROJECT SPECIFIC CONTROL OPTIONS
 DESIGNED TO SUIT YOUR REQUIREMENTS.



CARBON DIOXIDE SENSORS (CO₂)

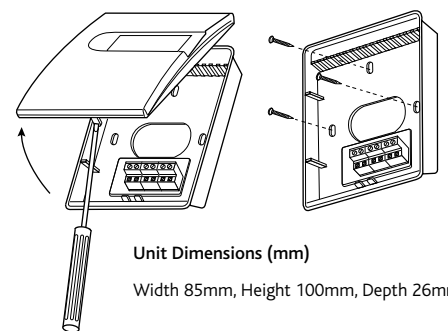
CO₂ sensors - are surface mounted room carbon dioxide sensors which also incorporate a temperature sensor. They are designed to sense the room conditions for office & school buildings. There are separate 0-10V output signals for CO₂ and temperature readings and are suitable as input signals for most fans and Building Management system.



Specifications

Current consumption	Typically 10mA plus pulses of 0.3A for .3s (every 15s)
Warm up time	5 minutes
Sensing range	0-2000ppm CO ₂ and 0-50°C
Output	0-10V dc proportional output maximum load
Installed environment	0-50°C and up to 90% RH non-condensing adjacent to fan
Maintenance	Does not require routine 6 monthly intervals
Availability	Next day
Warranty	3 years

DIMENSIONS (mm)



CODE DESCRIPTIONS

CO₂RM SELV power supply (by others) must have output of 24V ac (+/-20%) or 15-35V dc.

CO₂RMPP Mains supply to power must be 230V 1-50Hz.