

FLATMASTER 2000 - POSITIVE INPUT VENTILATION (PIV)

LOW COST VENTILATION WITH INTEGRAL HEATER FOR PROPERTIES
WITH NO LOFT SPACE.



BENEFITS

EXTREMELY LOW POWER CONSUMPTION

As low as 5 Watts.

EASY INSTALLATION & VERY LOW MAINTENANCE REQUIREMENT

Filter clean or replacement typically every 18 months.

SIGNIFICANTLY IMPROVES INDOOR AIR QUALITY

Using positive input ventilation removes indoor air pollutants such as carbon monoxide and keeps out traffic fumes, pollen and outdoor pollutants.

COMPLIES WITH THE BUILDING REGULATION VENTILATION REQUIREMENTS

Meets Part F&L England and Wales and contributes towards 'conservation of fuel and power'. (Please refer to BBA Certificate).

RADON GAS CONTROL

Helps reduce and maintain radon gas levels.

CREATES A HEALTHIER LIVING ENVIRONMENT

High efficiency filters removes up to 95% dust particles.

FIT & FORGET OPERATION

Fully automatic when airflow set on installation

INTEGRAL HEATER

To provide additional heating of the incoming air if required e.g. during very cold weather. The heater can be used to distribute filtered, warmed air throughout the property.

MANUAL BOOST SWITCH PROVIDED

When additional ventilation is required i.e. cooking odours.

WARRANTY

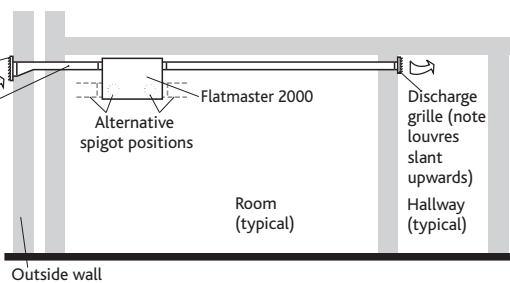
5 year warranty for peace of mind.



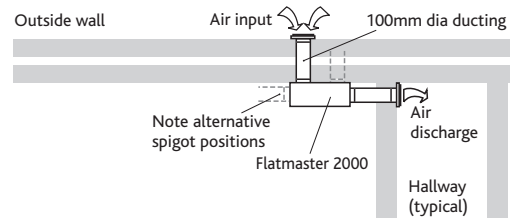
TYPICAL INSTALLATION

Side input installation (view from side).

Input grille (louvres slant downwards)
 100mm dia/121x60mm rectangular ducting (note input side kept as short as possible)



Rear input installation (view from above).



Remote boost switch.



Thermostatically controlled heater.

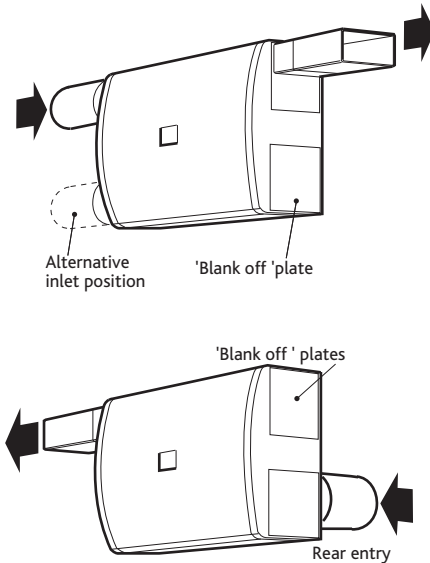
FLATMASTER 2000

The unit is designed to take fresh air from outside, clean the air, warm it (if fitted with heater) and discharge it into the central hallway via a system of ducting supplied by the installer. The dwelling internal air discharge grille is usually installed at high level in a central location within the hallway, although discharging the air down the length of the hallway (away from the front door) should also prove acceptable. Unit performance may be enhanced if an existing heat source can warm the discharged air eg. by locating the discharge grille above a radiator.

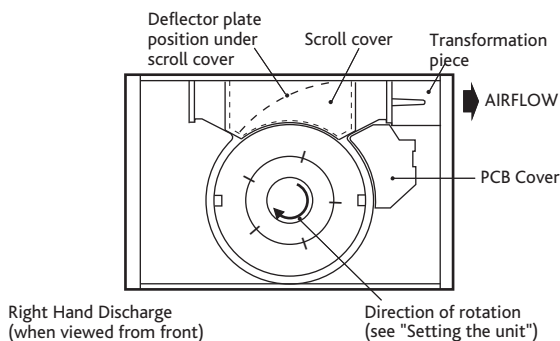
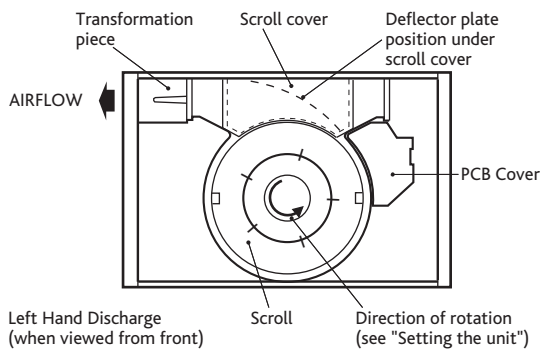
Additional heat when required

If additional heating of the incoming air is required e.g. during very cold weather, the integral heater can be used to distribute filtered, warmed air throughout the property.

Typical installations show unit with top discharge.

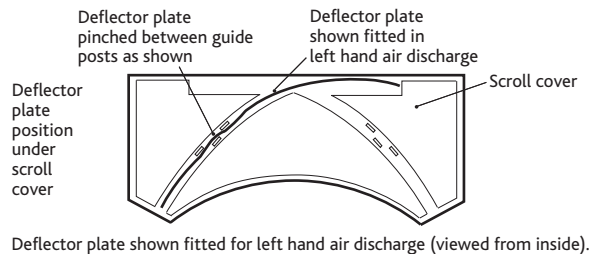


SETTING UP THE CORRECT AIRFLOW DIRECTION



Fitting the deflector plate

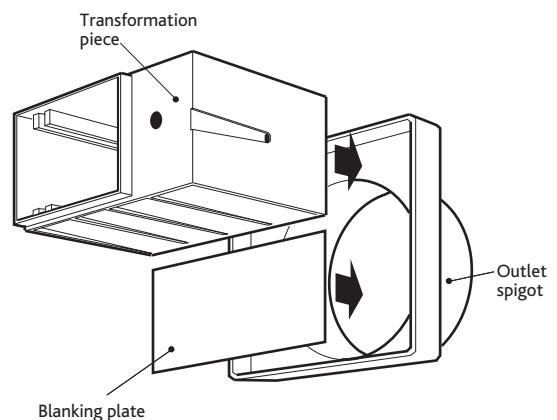
Fit deflector plate into scroll cover as shown below. Once fitted the assembly can be slotted into the scroll and clipped firmly in place.



Transformation Piece

This should be on the appropriate scroll outlet. The transformation piece should be fitted into the chosen outlet spigot insert, prior to fitting.

Note: If the round spigot is used as an outlet, the 115 x 55mm clear blanking plate will need to be fitted (as shown). This plate should be prevented from movement by the use of silicone sealant.



WIRING

Please note the electrical connections to the unit should be carried out by a qualified electrician.

With the PCB cover removed pull the PCB forward to gain access to earth post behind. Connect Earth cable to Earth Post next to the grommet hole. (If the heater option is required the wiring should be connected to the appropriate terminal on the PCB).

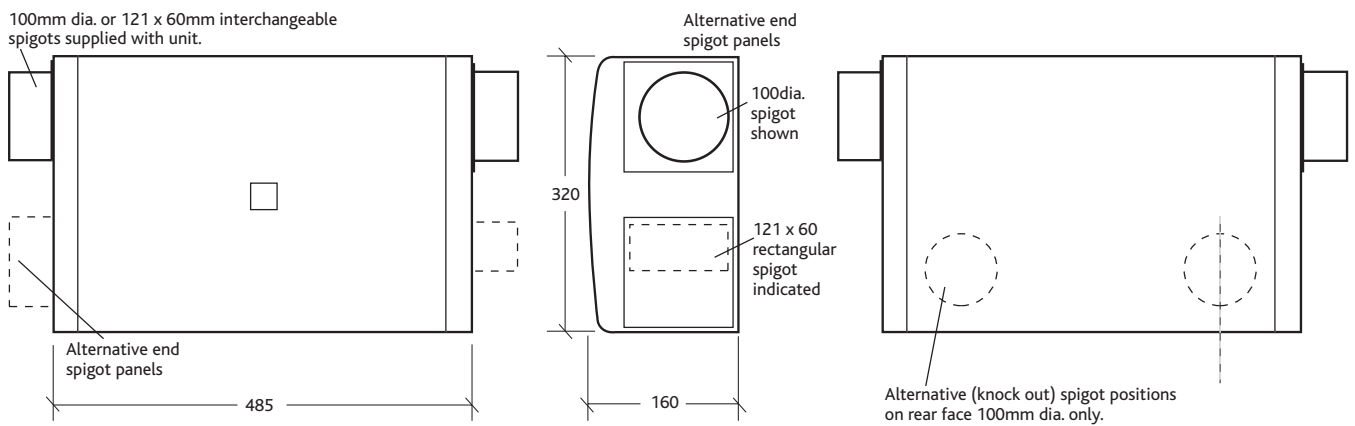
Slide PCB into slot and connect the mains supply L and N to the terminal block.

Electrical details:-

Supply - 230V 1 phase 50Hz

DIMENSIONS (MM) & WEIGHT FLATMASTER 2000 UNIT

Weight: 4kg



CONSULTANTS SPECIFICATION

FAN DESCRIPTION

The attractively designed unit casing shall be manufactured from easy to clean flame retardant V0 rated ABS polymer and thermally insulated pre-coated mild steel. A washable flame retardant filter of G3 grade (with 1 - 2 year typical maintenance period) shall be fitted which may be accessed via the easily removable front cover.

The unit shall incorporate an injection moulded radial bladed centrifugal impeller. The impeller shall be driven by a high efficiency, reversible brushless DC motor fitted with sealed, self lubricating bearings and locked rotor protection.

The unit shall have a maximum power consumption of 1.4 w/l/s of airflow. The unit shall be highly adaptable for ease of installation allowing circular or rectangular duct connections and for air entry from the side or rear of the case at high or low level.

A selection of spigots enabling connection to 100mm circular or 121x60mm rectangular distribution ductwork without the use of transformation sections shall be provided. The unit shall provide 3 volume control settings. Ducting and grilles shall be supplied separately.

The unit shall be suitable for the incorporation of an optional plug in internal monitor which shall record the units operational time (Code: FLAT-HRM).

The unit shall be offered with a 5 year warranty.