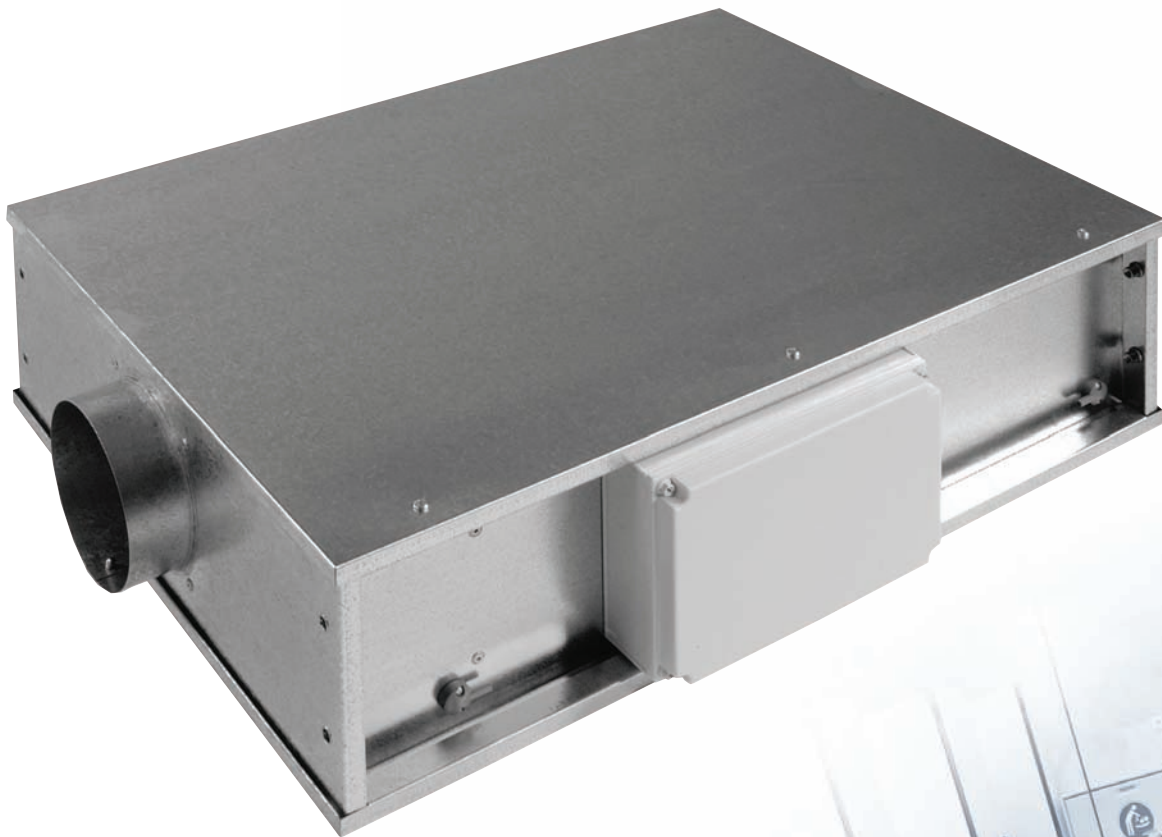


QUIETSCROLL TWIN FANS

QUIETEST, MOST COMPREHENSIVE RANGE OF TWIN FANS WITH INTEGRAL ENERGY SAVING CONTROLS.



BENEFITS

QUIETEST FANS

As the innovator and market leader of twinfans, Nuairé's experience and expertise has ensured the quietest twin fans in the industry.

SUPPLY AND EXTRACT

A Nuairé supply unit can be interlinked with a twinfan to provide a cost effective controllable solution to your system requirements – both fans responding to a single or multiple sensors/controls.

PURE DEMAND VENTILATION

Only ventilates the room when required - maximum energy savings possible achieved.

HEALTHY ATMOSPHERE

Ecosmart has a "trickle function" as standard which when activated enables you to set a background ventilation rate, keeping the rooms fresh whilst still saving energy.

GUARANTEED VENTILATION

Uses Hall effect sensor for autochange. Automatic change over in the event of fan/motor failure, guaranteeing ventilation 24/7.

EASY MAINTENANCE

Direct Drive (EST 1-9) models have bottom access as standard.

SIMPLE TO INSTALL AND COMMISSION

All controls pre-assembled and installed – site time kept to a minimum. Integrated simple to adjust speed control – no need for main balancing damper which can waste energy and generate noise. Note: The control box on sizes EST 1-9 can be moved to the opposite side of the Twin Fan.

IMPROVED LIFECYCLE

Auto duty share every 12 hours ensuring maximum life from fans.

PLUG-IN CONTROLS

All sensors and controls (a maximum of 32) are complete with 10m lengths of low voltage pre-plugged cable, (extra lengths available) you decide which conditions to monitor and the system will operate at the optimum speed for that condition.

INTEGRATED SILENCER

The unique integrated silencer (direct drive models) means that your in-duct acoustic requirements may be reduced and subsequently save you space on site. Contact Nuairé for details.

NO SYSTEM OVERLOADS

Ecosmart is pre-programmed with a soft start function which prevents electrical overloading and minimises mechanical wear.

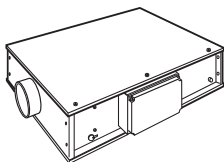
BMS INTERFACE

Integrated BMS features enable any central system to monitor the fan/air handling unit.

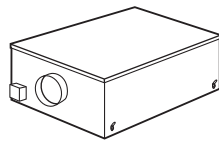
WARRANTY

Ecosmart Quietscroll twin fans have a 5 year warranty.

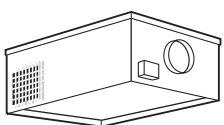
ALTERNATIVE CONNECTION AND MOUNTING OPTIONS



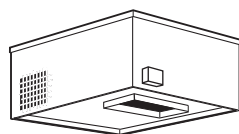
EST internal in-line twin fans.



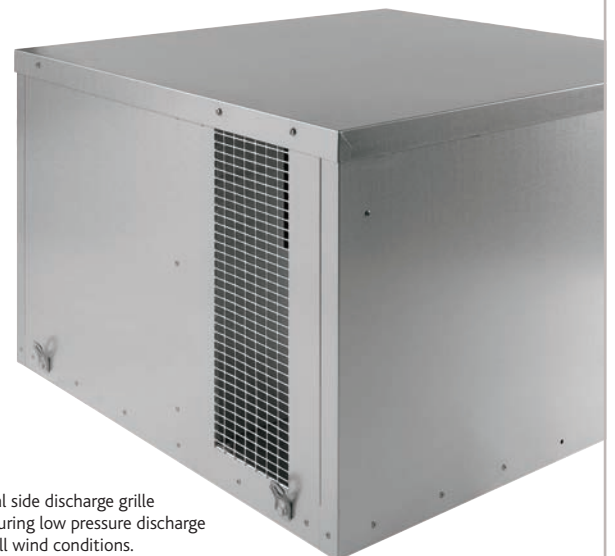
EST-X External in-line twin fans.



EST-R Roof mounted twin fans with end inlet and dual side discharge.



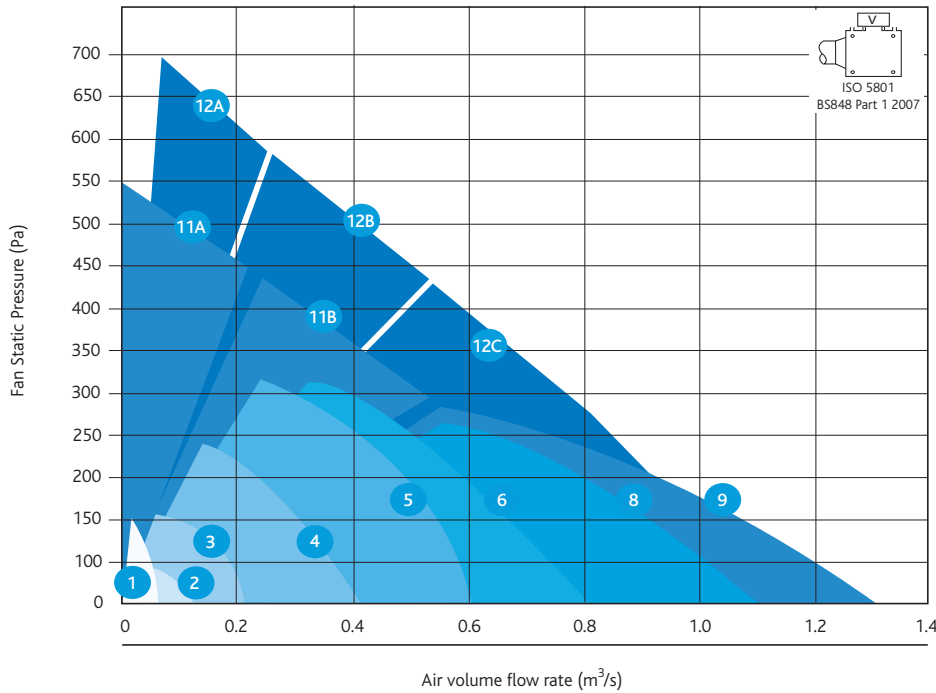
EST-B Roof mounted twin fans with bottom inlet and side discharge.



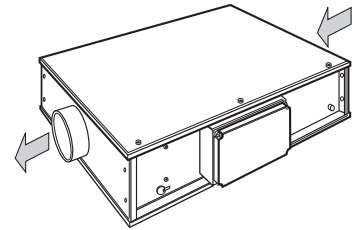
Dual side discharge grille ensuring low pressure discharge in all wind conditions.

PERFORMANCE - QUIETSCROLL EST AND EST-X

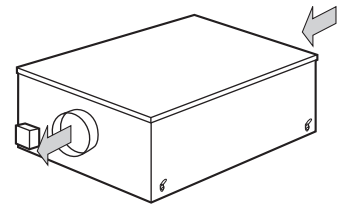
Quietscroll Units 1-9 and 11A-12C



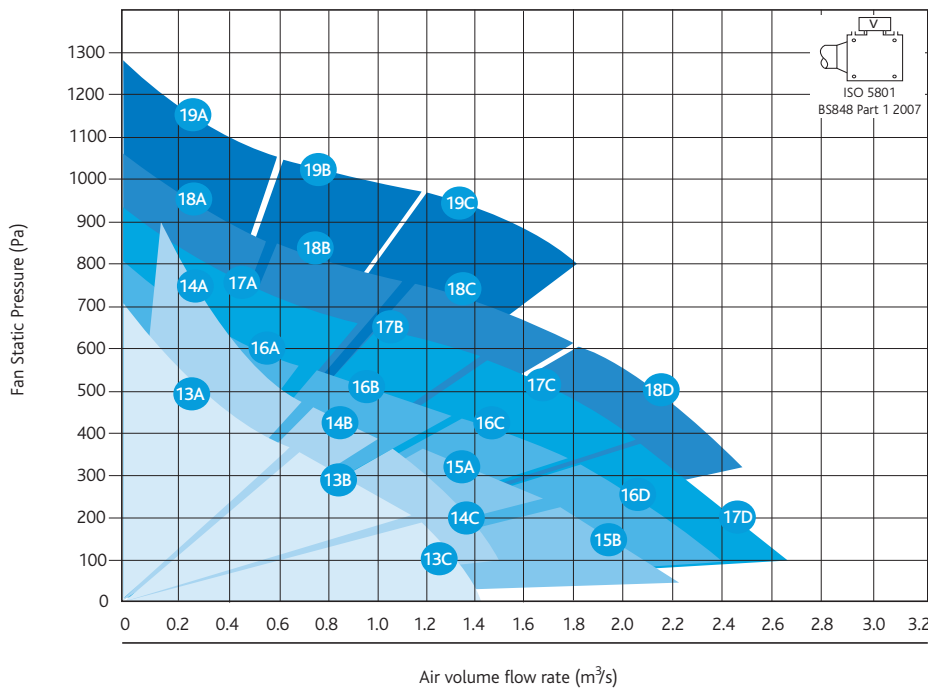
Casing



EST Internal In-line Twin Fans



Quietscroll Units 13A-19C



EST-X External In-line Twin Fans

Note: Case sizes 20-25 have rectangular spigots.

Code descriptions

E S T 11B - X

1 2 3 4

- 1 Quietscroll Twin range
- 2 Case sizes 1 to 25
- 3 A,B,C & D refer to motor & pulley combination
- 4 No suffix = Internal in-line unit
X = External in-line unit

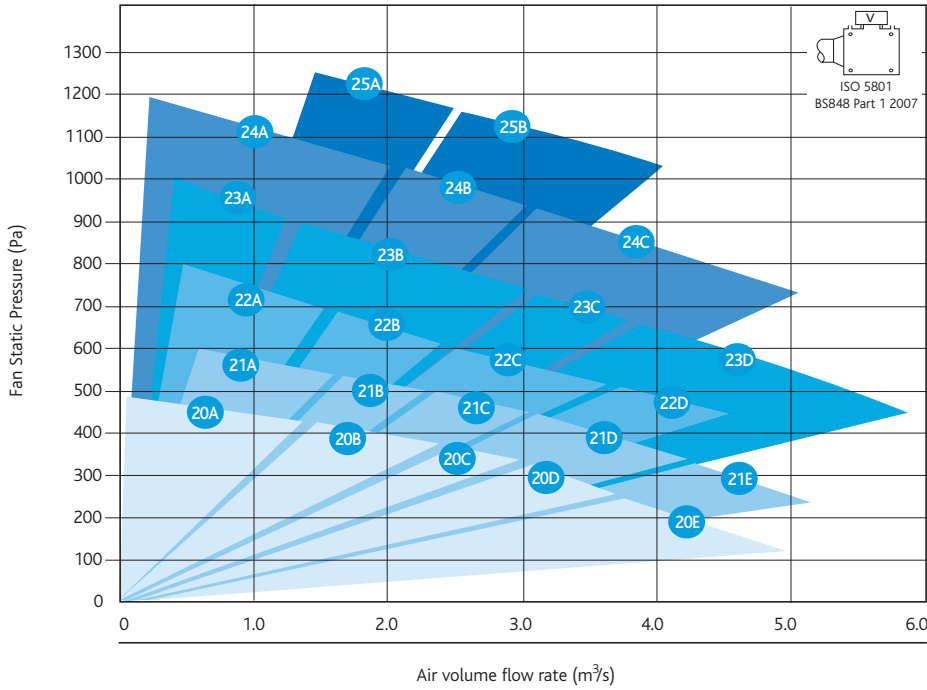
Please note curves 11-25 inc are belt drive

Note: All Twin Fans incorporate Ecosmart Controls as standard. Comprising:

- Auto Changeover
- Auto Duty Share
- Integral Control BMS interfaces
- Trickle and Boost Facility
- Easy commissioning adjustment
- 4 external control parts
- Run & fail volt free contacts

PERFORMANCE - QUIETSCROLL EST AND EST-X CONT.

Quietscroll Units 20A-25B



QUIETSCROLL INTERNAL TWIN FANS EST

ELECTRICAL, SOUND & WEIGHT														
Code/ Curve	Phase	RPM	Motor power (kW)	FLC (amps)	SC (amps)	Induct inlet Sound Power levels dB re lpW (+ correction for outlet)						Breakout dBA@3m	Weight (Kg)	
						125	250	500	1K	2K	4K			8K
EST1	1	2040	0.086	0.65	0.65	61(+5)	50(+8)	46(+4)	35(+16)	22(+18)	22(+8)	22(+3)	21	20
EST2	1	1320	0.104	0.56	0.56	65(+4)	51(+2)	41(+7)	31(+14)	22(+21)	22(+15)	22(+7)	22	30
EST3	1	1260	0.23	1.6	1.6	63(+8)	57(+3)	40(+11)	31(+20)	24(+25)	25(+20)	23(+15)	30	43
EST4	1	1140	0.37	1.6	1.6	61(+6)	61(+1)	45(+9)	37(+16)	31(+18)	30(+15)	24(+14)	30	57
EST5	1	1110	0.66	2.95	2.95	66(+6)	61(+0)	48(+11)	44(+18)	39(+23)	35(+26)	32(+25)	35	69
EST6	1	1272	1.1	4.84	4.84	73(+7)	66(+11)	54(+16)	50(+21)	49(+19)	47(+19)	41(+20)	43	79
EST8	1	960	1.4	6.3	6.3	73(+7)	67(+7)	60(+13)	54(+19)	52(+20)	49(+22)	41(+22)	46	160
EST9	1	960	1.6	7.3	7.3	74(+8)	71(+9)	70(+13)	67(+19)	67(+20)	63(+22)	56(+22)	47	154
EST11A	3	1225	0.37	1.3	1.3	73(+1)	67(+7)	62(+10)	63(+11)	55(+9)	49(+11)	45(+9)	46	77.5
EST11B	3	1225	0.55	1.7	1.7	74(+2)	68(+7)	64(+9)	65(+10)	57(+8)	52(+9)	48(+7)	48	82.4
EST12A	3	1400	0.55	1.7	1.7	75(-1)	71(+4)	66(+7)	66(+9)	58(+7)	51(+8)	45(+5)	48	82.4
EST12B	3	1400	0.75	2.1	2.1	74(+3)	70(+8)	65(+10)	66(+12)	58(+9)	51(+11)	44(+9)	50	84.4
EST12C	3	1400	1.1	2.9	2.9	77(+2)	73(+7)	67(+10)	69(+10)	60(+8)	54(+10)	47(+11)	51	90.4
EST13A	3	1085	0.75	2.1	2.1	70(+5)	67(+8)	67(+8)	63(+8)	56(+8)	57(+7)	51(+7)	48	116
EST13B	3	1085	1.1	2.9	2.9	72(+5)	68(+8)	69(+8)	65(+8)	58(+8)	59(+7)	54(+7)	50	116
EST13C	3	1085	1.5	3.7	3.7	73(+4)	69(+7)	70(+7)	64(+9)	59(+7)	61(+5)	55(+6)	50	125
EST14A	3	1225	1.1	2.55	2.55	73(+5)	68(+7)	68(+7)	62(+10)	56(+8)	58(+6)	48(+7)	48	116

Fan size 11A to 25B inc. are belt drive and cannot be mounted at an angle no greater than 5°. Please contact your local Nuair Technical Sales Engineer or the Technical Department to discuss your application requirements. Units EST20 to EST25 inc. have top and side access as standard. Breakout dBA@3m is hemispherical free field. The electrical and sound information in the table is nominal.

Quietscroll Internal Twin Fans EST cont.

ELECTRICAL, SOUND & WEIGHT

Code/ Curve	Phase	RPM	Motor power (kW)	FLC (amps)	SC (amps)	Induct inlet Sound Power levels dB re 1pW (+ correction for outlet)						Breakout dBA@3m	Weight (Kg)	
						125	250	500	1K	2K	4K			8K
EST14B	3	1225	1.5	3.7	3.7	74(+5)	68(+9)	68(+10)	63(+11)	57(+10)	59(+8)	49(+12)	50	125
EST14C	3	1225	2.2	5.4	5.4	75(+5)	70(+9)	71(+9)	65(+11)	60(+9)	62(+7)	55(+9)	52	134
EST15A	3	925	2.2	5.4	5.4	80(+6)	79(+2)	78(+9)	76(+8)	73(+7)	70(+6)	64(+9)	60	168.7
EST15B	3	925	3	6.9	6.9	83(+8)	81(+3)	79(+9)	78(+9)	76(+9)	74(+10)	68(+12)	62	174.6
EST16A	3	1040	1.5	3.7	3.7	80(+5)	80(+1)	75(+8)	75(+7)	73(+6)	71(+6)	67(+8)	57	159.6
EST16B	3	1040	2.2	5.4	5.4	81(+8)	81(+3)	76(+12)	76(+11)	74(+9)	71(+9)	68(+9)	61	168.7
EST16C	3	1040	3	6.9	6.9	81(+7)	82(+2)	77(+11)	77(+10)	74(+8)	71(+9)	68(+8)	61	174.6
EST16D	3	1040	4	10	10	84(+7)	82(+1)	80(+10)	79(+9)	77(+8)	75(+9)	70(+8)	63	193.6
EST17A	3	1160	2.2	5.4	5.4	83(+4)	81(0)	75(+7)	76(+7)	74(+5)	73(+5)	69(+6)	57	168.7
EST17B	3	1160	3	6.9	6.9	84(+5)	82(+1)	76(+12)	77(+9)	75(+8)	73(+7)	70(+7)	61	174.6
EST17C	3	1160	4	10	10	84(+4)	83(0)	77(+11)	78(+8)	75(+7)	73(+7)	70(+6)	61	193.6
EST17D	3	1160	5.5	12	12	85(+4)	83(-1)	80(+10)	80(+7)	77(+7)	76(+7)	71(+6)	62	231.6
EST18A	3	1260	2.2	5.4	5.4	83(+3)	84(-1)	78(+7)	80(+5)	76(+5)	75(+4)	69(+5)	60	168.7
EST18B	3	1260	3	6.9	6.9	84(+4)	83(-2)	79(+9)	80(+5)	77(+6)	74(+5)	69(+7)	61	174.6
EST18C	3	1260	4	10	10	84(+4)	83(-1)	79(+8)	80(+5)	77(+5)	74(+6)	69(+7)	61	193.6
EST18D	3	1260	5.5	12	12	85(+4)	83(-1)	81(+8)	81(+5)	78(+5)	76(+6)	71(+7)	62	231.6
EST19A	3	1440	3	6.9	6.9	90(+2)	83(-2)	82(+5)	80(+4)	79(+5)	78(+3)	73(+4)	61	174.6
EST19B	3	1440	4	10	10	87(-2)	82(-1)	81(+5)	79(+5)	79(+3)	77(+2)	73(+3)	60	193.6
EST19C	3	1440	5.5	12	12	86(+1)	84(0)	82(+6)	81(+6)	79(+3)	77(+3)	73(+3)	62	231.6
EST20A	3	700	1.5	3.7	3.7	83(+1)	81(-2)	79(+7)	68(+5)	69(+4)	62(+4)	63(+4)	58	682
EST20B	3	700	2.2	5.4	5.4	83(+1)	80(-1)	80(+6)	69(+5)	68(+4)	62(+3)	62(+5)	58	691
EST20C	3	700	3	6.9	6.9	83(+1)	80(-1)	80(+7)	69(+5)	68(+4)	61(+3)	62(+4)	59	697
EST20D	3	700	4	10	10	83(+3)	81(0)	81(+8)	70(+6)	67(+6)	60(+5)	60(+6)	61	716
EST20E	3	700	5.5	12	12	86(+2)	84(0)	84(+7)	73(+6)	70(+5)	63(+5)	63(+6)	63	730
EST21A	3	800	2.2	5.4	5.4	86(+1)	83(-1)	83(+6)	72(+5)	71(+4)	65(+3)	65(+5)	61	691
EST21B	3	800	3	6.9	6.9	86(+4)	83(-1)	83(+8)	72(+5)	71(+5)	64(+6)	65(+7)	63	697
EST21C	3	800	4	10	10	86(+3)	84(0)	84(+8)	73(+6)	70(+6)	63(+5)	63(+6)	64	716
EST21D	3	800	5.5	12	12	89(+2)	87(-1)	87(+6)	76(+5)	73(+5)	66(+4)	66(+5)	65	730
EST21E	3	800	7.5	16	16	90(+2)	88(-1)	87(+7)	77(+5)	74(+5)	67(+4)	67(+5)	66	750
EST22A	3	900	3	6.9	6.9	88(+1)	85(-1)	85(+6)	74(+5)	73(+4)	67(+3)	67(+5)	63	697
EST22B	3	900	4	10	10	88(+2)	85(-2)	85(+5)	74(+4)	73(+5)	66(+3)	67(+4)	62	716
EST22C	3	900	5.5	12	12	88(+3)	86(0)	86(+8)	75(+6)	72(+6)	65(+5)	65(+6)	66	730
EST22D	3	900	5.5	16	16	91(+2)	89(-1)	89(+6)	78(+5)	75(+5)	68(+4)	68(+5)	67	750
EST23A	3	1000	4	10	10	90(-2)	87(-1)	87(+5)	76(+5)	75(+3)	69(+2)	69(+3)	64	716
EST23B	3	1000	5.5	12	12	90(+1)	87(-1)	87(+7)	76(+5)	75(+4)	68(+3)	69(+4)	66	730
EST23C	3	1000	7.5	16	16	90(+3)	88(0)	88(+8)	77(+6)	74(+6)	67(+5)	67(+6)	68	750
EST23D	3	1000	11	23	23	93(+2)	91(-1)	91(+6)	80(+5)	77(+5)	70(+4)	70(+5)	69	794
EST24A	3	1100	5.5	12	12	92(+1)	89(-1)	89(+6)	78(+5)	77(+4)	71(+3)	71(+5)	67	730
EST24B	3	1100	7.5	16	16	92(+1)	89(-1)	89(+7)	78(+5)	77(+4)	70(+3)	71(+4)	68	750
EST24C	3	1100	11	23	23	92(+3)	90(0)	90(+8)	79(+6)	76(+6)	69(+5)	69(+6)	70	794
EST25A	3	1200	7.5	16	16	93(+1)	90(-1)	90(+6)	79(+5)	78(+4)	72(+3)	72(+5)	68	750
EST25B	3	1200	11	23	23	93(+1)	90(-1)	90(+7)	79(+5)	78(+4)	71(+3)	72(+4)	69	794

Fan size 11A to 25B inc. are belt drive and cannot be mounted at an angle no greater than 5°.

Please contact your local Nuair Technical Sales Engineer or the Technical Department to discuss your application requirements.

Units EST20 to EST25 inc. have top and side access as standard. Breakout dBA@3m is hemispherical free field. The electrical and sound information in the table is nominal.

QUIETSCROLL EXTERNAL TWIN FANS EST-X

ELECTRICAL, SOUND & WEIGHT

Code/ Curve	Phase	RPM	Motor power (kW)	FLC (amps)	SC (amps)	Induct inlet Sound Power levels dB re 1pW (+ correction open outlet)							Breakout dBA@3m	Weight (Kg)
						125	250	500	1K	2K	4K	8K		
EST1-X	1	2040	0.086	0.65	0.65	66(+8)	55(+3)	46(+0)	47(+6)	39(+13)	35(+11)	31(+8)	29	20
EST2-X	1	1320	0.104	0.56	0.56	62(+11)	46(+4)	40(+9)	35(+15)	32(+17)	31(+13)	31(+5)	25	30
EST3-X	1	1260	0.23	1.6	1.6	72(+2)	55(+6)	47(+7)	43(+14)	40(+14)	36(+15)	32(+13)	32	43
EST4-X	1	1140	0.37	1.6	1.6	68(+8)	59(+6)	51(+10)	29(+17)	46(+15)	42(+16)	35(+18)	37	57
EST5-X	1	1110	0.66	2.95	2.95	68(+8)	58(+10)	49(+14)	49(+19)	50(+18)	48(+17)	43(+17)	40	69
EST6-X	1	1272	1.1	4.84	4.84	71(+5)	63(+4)	55(+12)	58(+13)	58(+13)	55(+13)	48(+12)	47	79
EST9-X	1	960	1.6	7.3	7.3	72(+13)	66(+19)	61(+18)	60(+18)	60(+17)	57(+19)	51(+18)	50	154
EST11A-X	3	1225	0.37	1.3	1.3	73(+1)	67(+7)	62(+10)	63(+11)	55(+9)	49(+11)	45(+9)	46	77.5
EST11B-X	3	1225	0.55	1.7	1.7	74(+2)	68(+7)	64(+9)	65(+10)	57(+8)	52(+9)	48(+7)	48	82.4
EST12A-X	3	1400	0.55	1.7	1.7	75(-1)	71(+4)	66(+7)	66(+9)	58(+7)	51(+8)	45(+5)	48	82.4
EST12B-X	3	1400	0.75	2.1	2.1	74(+3)	70(+8)	65(+10)	66(+12)	58(+9)	51(+11)	44(+9)	50	84.4
EST12C-X	3	1400	1.1	2.9	2.9	77(+2)	73(+7)	67(+10)	69(+10)	60(+8)	54(+10)	47(+11)	51	90.4
EST13A-X	3	1085	0.75	2.1	2.1	70(+5)	67(+8)	67(+8)	63(+8)	56(+8)	57(+7)	51(+7)	48	116
EST13B-X	3	1085	1.1	2.9	2.9	72(+5)	68(+8)	69(+8)	65(+8)	58(+8)	59(+7)	54(+7)	50	116
EST13C-X	3	1085	1.5	3.7	3.7	73(+4)	69(+7)	70(+7)	64(+9)	59(+7)	61(+5)	55(+6)	50	125
EST14A-X	3	1225	1.1	2.55	2.55	73(+5)	68(+7)	68(+7)	62(+10)	56(+8)	58(+6)	48(+7)	48	116
EST14B-X	3	1225	1.5	3.7	3.7	74(+5)	68(+9)	68(+10)	63(+11)	57(+10)	59(+8)	49(+12)	50	125
EST14C-X	3	1225	2.2	5.4	5.4	75(+5)	70(+9)	71(+9)	65(+11)	60(+9)	62(+7)	55(+9)	52	134
EST15A-X	3	925	2.2	5.4	5.4	80(+6)	79(+2)	78(+9)	76(+8)	73(+7)	70(+6)	64(+9)	60	168.7
EST15B-X	3	925	3	6.9	6.9	83(+8)	81(+3)	79(+9)	78(+9)	76(+9)	74(+10)	68(+12)	62	174.6
EST16A-X	3	1040	1.5	3.7	3.7	80(+5)	80(+1)	75(+8)	75(+7)	73(+6)	71(+6)	67(+8)	57	159.6
EST16B-X	3	1040	2.2	5.4	5.4	81(+8)	81(+3)	76(+12)	76(+11)	74(+9)	71(+9)	68(+9)	61	168.7
EST16C-X	3	1040	3	6.9	6.9	81(+7)	82(+2)	77(+11)	77(+10)	74(+8)	71(+9)	68(+8)	61	174.6
EST16D-X	3	1040	4	10	10	84(+7)	82(+1)	80(+10)	79(+9)	77(+8)	75(+9)	70(+8)	63	193.6
EST17A-X	3	1160	2.2	5.4	5.4	83(+4)	81(0)	75(+7)	76(+7)	74(+5)	73(+5)	69(+6)	57	168.7
EST17B-X	3	1160	3	6.9	6.9	84(+5)	82(+1)	76(+12)	77(+9)	75(+8)	73(+7)	70(+7)	61	174.6
EST17C-X	3	1160	4	10	10	84(+4)	83(0)	77(+11)	78(+8)	75(+7)	73(+7)	70(+6)	61	193.6
EST17D-X	3	1160	5.5	12	12	85(+4)	83(-1)	80(+10)	80(+7)	77(+7)	76(+7)	71(+6)	62	231.6
EST18A-X	3	1260	2.2	5.4	5.4	83(+3)	84(-1)	78(+7)	80(+5)	76(+5)	75(+4)	69(+5)	60	168.7
EST18B-X	3	1260	3	6.9	6.9	84(+4)	83(-2)	79(+9)	80(+5)	77(+6)	74(+5)	69(+7)	61	174.6
EST18C-X	3	1260	4	10	10	84(+4)	83(-1)	79(+8)	80(+5)	77(+5)	74(+6)	69(+7)	61	193.6
EST18D-X	3	1260	5.5	12	12	85(+4)	83(-1)	81(+8)	81(+5)	78(+5)	76(+6)	71(+7)	62	231.6
EST19A-X	3	1440	3	6.9	6.9	90(+2)	83(-2)	82(+5)	80(+4)	79(+5)	78(+3)	73(+4)	61	174.6
EST19B-X	3	1440	4	10	10	87(-2)	82(-1)	81(+5)	79(+5)	79(+3)	77(+2)	73(+3)	60	193.6
EST19C-X	3	1440	5.5	12	12	86(+1)	84(0)	82(+6)	81(+6)	79(+3)	77(+3)	73(+3)	62	231.6

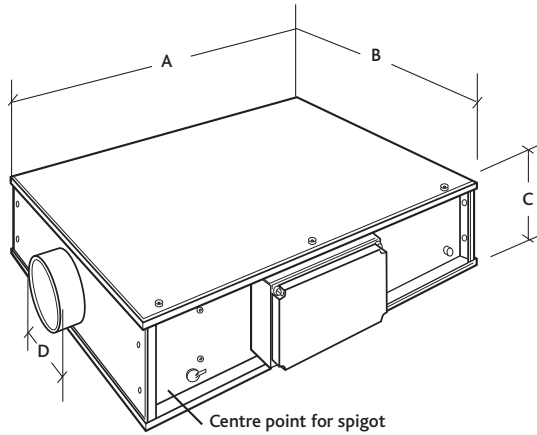
Fan size 11A to 25B inc. are belt drive and cannot be mounted at an angle no greater than 5°.
Please contact your local Nuair Technical Sales Engineer or the Technical Department to discuss your application requirements.
Units EST20 to EST25 inc. have top and side access as standard. Breakout dBA@3m is hemispherical free field.
The electrical and sound information in the table is nominal.

QUIETSCROLL EXTERNAL TWIN FANS EST-X CONT.

ELECTRICAL, SOUND & WEIGHT														
Code/ Curve	Phase	RPM	Motor power (kW)	FLC (amps)	SC (amps)	Induct inlet Sound Power levels dB re lpW (+ correction open outlet)							Breakout dBA@3m	Weight (Kg)
						125	250	500	1K	2K	4K	8K		
EST20A-X	3	700	1.5	3.7	3.7	83(+1)	81(-2)	79(+7)	68(+5)	69(+4)	62(+4)	63(+4)	58	682
EST20B-X	3	700	2.2	5.4	5.4	83(+1)	80(-1)	80(+6)	69(+5)	68(+4)	62(+3)	62(+5)	58	691
EST20C-X	3	700	3	6.9	6.9	83(+1)	80(-1)	80(+7)	69(+5)	68(+4)	61(+3)	62(+4)	59	697
EST20D-X	3	700	4	10	10	83(+3)	81(0)	81(+8)	70(+6)	67(+6)	60(+5)	60(+6)	61	716
EST20E-X	3	700	5.5	12	12	86(+2)	84(0)	84(+7)	73(+6)	70(+5)	63(+5)	63(+6)	63	730
EST21A-X	3	800	2.2	5.4	5.4	86(+1)	83(-1)	83(+6)	72(+5)	71(+4)	65(+3)	65(+5)	61	691
EST21B-X	3	800	3	6.9	6.9	86(+4)	83(-1)	83(+8)	72(+5)	71(+5)	64(+6)	65(+7)	63	697
EST21C-X	3	800	4	10	10	86(+3)	84(0)	84(+8)	73(+6)	70(+6)	63(+5)	63(+6)	64	716
EST21D-X	3	800	5.5	12	12	89(+2)	87(-1)	87(+6)	76(+5)	73(+5)	66(+4)	66(+5)	65	730
EST21E-X	3	800	7.5	16	16	90(+2)	88(-1)	87(+7)	77(+5)	74(+5)	67(+4)	67(+5)	66	750
EST22A-X	3	900	3	6.9	6.9	88(+1)	85(-1)	85(+6)	74(+5)	73(+4)	67(+3)	67(+5)	63	697
EST22B-X	3	900	4	10	10	88(+2)	85(-2)	85(+5)	74(+4)	73(+5)	66(+3)	67(+4)	62	716
EST22C-X	3	900	5.5	12	12	88(+3)	86(0)	86(+8)	75(+6)	72(+6)	65(+5)	65(+6)	66	730
EST22D-X	3	900	5.5	16	16	91(+2)	89(-1)	89(+6)	78(+5)	75(+5)	68(+4)	68(+5)	67	750
EST23A-X	3	1000	4	10	10	90(-2)	87(-1)	87(+5)	76(+5)	75(+3)	69(+2)	69(+3)	64	716
EST23B-X	3	1000	5.5	12	12	90(+1)	87(-1)	87(+7)	76(+5)	75(+4)	68(+3)	69(+4)	66	730
EST23C-X	3	1000	7.5	16	16	90(+3)	88(0)	88(+8)	77(+6)	74(+6)	67(+5)	67(+6)	68	750
EST23D-X	3	1000	11	23	23	93(+2)	91(-1)	91(+6)	80(+5)	77(+5)	70(+4)	70(+5)	69	794
EST24A-X	3	1100	5.5	12	12	92(+1)	89(-1)	89(+6)	78(+5)	77(+4)	71(+3)	71(+5)	67	730
EST24B-X	3	1100	7.5	16	16	92(+1)	89(-1)	89(+7)	78(+5)	77(+4)	70(+3)	71(+4)	68	750
EST24C-X	3	1100	11	23	23	92(+3)	90(0)	90(+8)	79(+6)	76(+6)	69(+5)	69(+6)	70	794
EST25A-X	3	1200	7.5	16	16	93(+1)	90(-1)	90(+6)	79(+5)	78(+4)	72(+3)	72(+5)	68	750
EST25B-X	3	1200	11	23	23	93(+1)	90(-1)	90(+7)	79(+5)	78(+4)	71(+3)	72(+4)	69	794

Fan size 11A to 25B inc. are belt drive and cannot be mounted at an angle no greater than 5°. Please contact your local Nuair Technical Sales Engineer or the Technical Department to discuss your application requirements. Units EST20 to EST25 inc. have top and side access as standard. Breakout dBA@3m is hemispherical free field. The electrical and sound information in the table is nominal.

DIMENSIONS QUIETSCROLL INTERNAL TWIN FANS EST



Note: Case sizes 20-25 have rectangular spigots.

DIMENSIONS (mm)

Fan Code	A	B	C	Circular Spigot D dia	Rectangular Spigot
EST1	763	572	210	150	-
EST2	778	787	262	200	-
EST3	913	787	340	200	-
EST4	1063	1047	360	250	-
EST5	1193	1047	423	400	-
EST6	1193	1047	423	400	-
EST8	1195	1174	575	500	-
EST9	1195	1174	575	500	-
EST11-12	974	974	622	400	-
EST13-14	1233	1233	701	500	-
EST15-19	1430	1635	780	630	-
EST20-25	2030	2313	1183	N/A	1200 x 700

Top and bottom access on sizes EST1-9 inc.
 Top access only on sizes EST11-19 inc.
 Top and side access on EST20-25 as standard.

QUICK SELECTION GUIDE

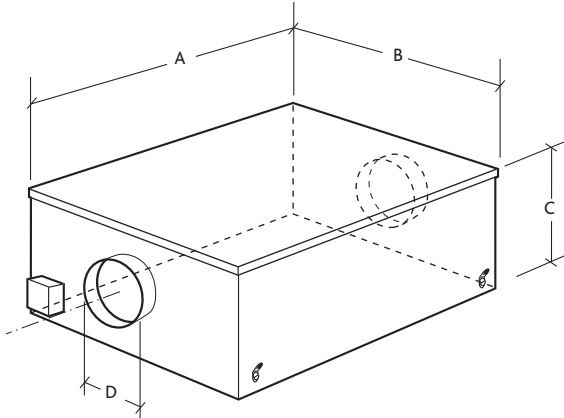
EST – INTERNAL DUCT TWIN FANS

Fan Code	AV mounts	Silencer	Standard Flexible Connector	Acoustic Flexible Connector
EST1	NAV1	ES1SIL	CFC16	ACFXRD150
EST2	NAV2	ES2SIL	CFC20	ACFXRD200
EST3	NAV2	ES3SIL	CFC20	ACFXRD200
EST4	NAV2	ES4SIL	CFC25	ACFXRD250
EST5	NAV2	ES5SIL	CFC40	ACFXRD400
EST6	NAV2	ES6SIL	CFC40	ACFXRD400
EST8	NAV2	ES7SIL	CFC50	ACFXRD500
EST9	NAV2	ES8SIL	CFC50	ACFXRD500
EST11	INC	ES6SIL	CFC40	ACFXRD400
EST12	INC	ES6SIL	CFC40	ACFXRD400
EST13	INC	ES7SIL	CFC50	ACFXRD500
EST14	INC	ES8SIL	CFC50	ACFXRD500
EST15	INC	CA63S	CFC63	-
EST16	INC	CA63S	CFC63	-
EST17	INC	CA63S	CFC63	-
EST18	INC	CA63S	CFC63	-
EST19	INC	CA63S	CFC63	-

Rectangular Connection

EST20	INC	CA100S	FXRC11	-
EST21	INC	CA100S	FXRC11	-
EST22	INC	CA100S	FXRC11	-
EST23	INC	CA100S	FXRC11	-
EST24	INC	CA100S	FXRC11	-
EST25	INC	CA100S	FXRC11	-

DIMENSIONS QUIETSCROLL EXTERNAL TWIN FANS EST-X



Note: Case sizes 20-25 have rectangular spigots.

DIMENSIONS (mm)

Fan Code	A	B	C	Circular Spigot D dia	Rectangular Spigot
EST1-X	705	505	355	125	-
EST2-X	875	720	400	200	-
EST3-X	970	720	485	200	-
EST4-X	1165	980	575	250	-
EST5-X	1165	980	575	400	-
EST6-X	1165	980	575	400	-
EST9-X	1495	1125	710	500	-
EST11-12-X	974	974	622	400	-
EST13-14-X	1233	1233	701	500	-
EST15-19-X	1430	1635	780	630	-
EST20-25-X	2030	2313	1183	N/A	1200 x 700

Top access on sizes EST1-19-X inc
Top access only on sizes EST11-19-X inc
Top and side access on EST20-25-X as standard

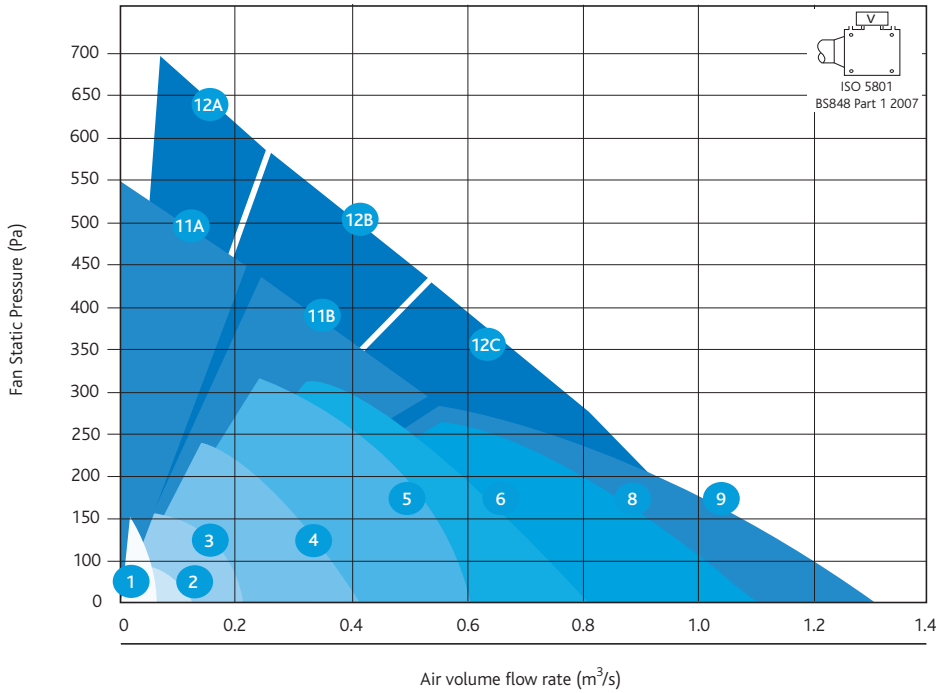
QUICK SELECTION GUIDE

EST-X – EXTERNAL DUCT TWIN FANS

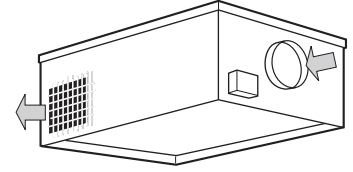
Fan Code	Standard Silencer	Standard Flexible Connector	Acoustic Flexible Connector
EST1-X	CA25S	CFC16	ACFXRD150
EST2-X	CA25S	CFC20	ACFXRD200
EST3-X	CA25S	CFC20	ACFXRD200
EST4-X	CA25S	CFC25	ACFXRD250
EST5-X	CA40S	CFC40	ACFXRD400
EST6-X	CA40S	CFC40	ACFXRD400
EST9-X	CA50S	CFC50	ACFXRD500
EST11-X	CA40S	CFC40	ACFXRD400
EST12-X	CA40S	CFC40	ACFXRD400
EST13-X	CA50S	CFC50	ACFXRD500
EST14-X	CA50S	CFC50	ACFXRD500
EST15-X	CA63S	CFC63	-
EST16-X	CA63S	CFC63	-
EST17-X	CA63S	CFC63	-
EST18-X	CA63S	CFC63	-
EST19-X	CA63S	CFC63	-
EST20-X	CA100S	FXRC11	-
Rectangular Connection			
EST21-X	CA100S	FXRC11	-
EST22-X	CA100S	FXRC11	-
EST23-X	CA100S	FXRC11	-
EST24-X	CA100S	FXRC11	-
EST25-X	CA100S	FXRC11	-

PERFORMANCE - QUIETSCROLL EXTERNAL TWIN FANS EST-R AND EST-B

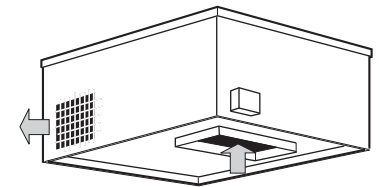
Quietscroll Units 1-9 and 11A-12C



Casing

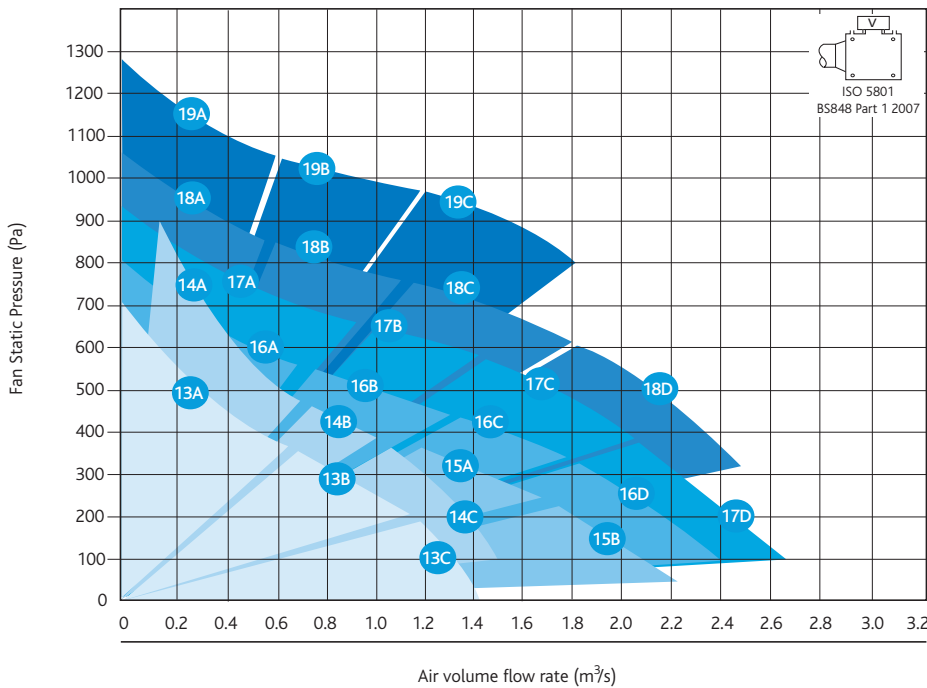


EST-R External Twin Fans



EST-B External Twin Fans

Quietscroll Units 13A-19C



Code descriptions

E S T 11 B - B

1 | 2 | 3 | 4

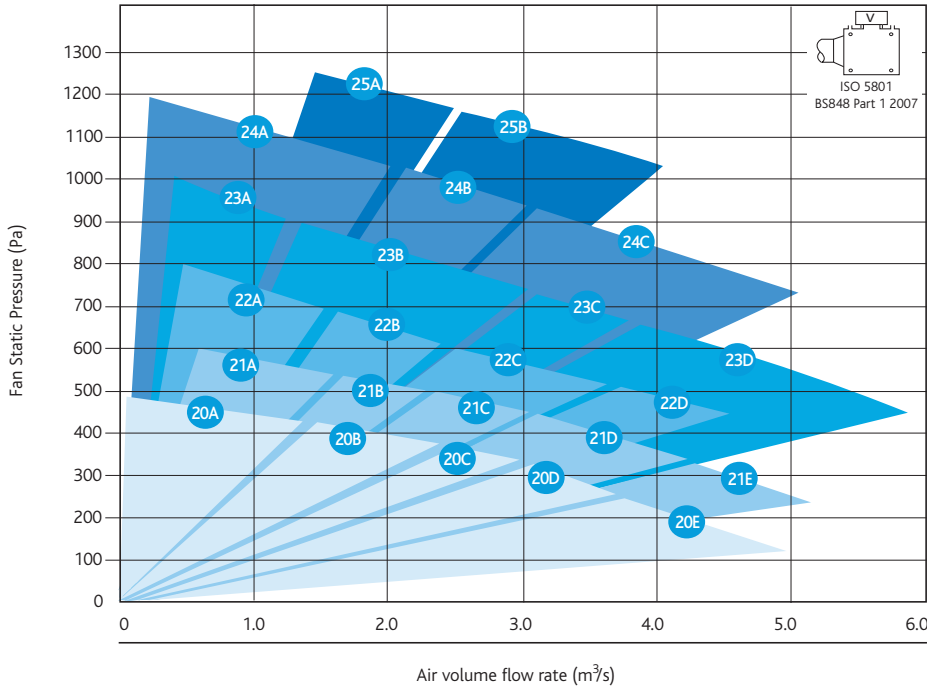
1. Quietscroll Twin range
2. Case sizes 1 to 25b
3. A, B, C & D refer to motor & pulley combination
4. - R = back inlet, grille outlet
external roof mounted unit
- B = bottom inlet, grille outlet external roof mounted unit
No suffix = Internal in-line unit (Direct line)

Note: All Twin Fans incorporate Ecosmart Controls as standard. Comprising:

- Auto Changeover
- Auto Duty Share
- Integral Control BMS interface
- Trickle and Boost Facility
- Easy commissioning adjustment

PERFORMANCE - QUIETSCROLL EXTERNAL TWIN FANS EST-R AND EST-B CONT.

Quietscroll Units 20A-25B



QUIETSCROLL EXTERNAL TWIN FANS EST-R AND EST-B

ELECTRICAL, SOUND & WEIGHT

Code/ Curve	Phase	RPM	Motor power (kW)	FLC (amps)	SC (amps)	Induct inlet Sound Power levels dB re lpW (+ correction for open outlet)					Open inlet (Open outlet) dB@3m	Weight (Kg)		
						125	250	500	1K	2K			4K	8K
EST1	1	2040	0.086	0.65	0.65	66(+8)	55(+3)	46(+0)	47(+6)	39(+13)	35(+11)	31(+8)	29 (+15)	20
EST2	1	1320	0.104	0.56	0.56	62(+11)	46(+4)	40(+9)	35(+15)	32(+17)	31(+13)	31(+5)	23(+17)	30
EST3	1	1260	0.23	1.6	1.6	72(+2)	55(+6)	47(+7)	43(+14)	40(+14)	36(+15)	32(+13)	31(+15)	43
EST4	1	1140	0.37	1.6	1.6	68(+8)	59(+6)	51(+10)	49(+17)	46(+15)	42(+16)	35(+18)	39(+13)	57
EST5	1	1110	0.66	2.95	2.95	68(+8)	58(+10)	49(+14)	49(+19)	50(+18)	48(+17)	43(+17)	38(+20)	69
EST6	1	1272	1.1	4.84	4.84	71(+5)	63(+4)	55(+12)	58(+13)	58(+13)	55(+13)	48(+12)	45(+17)	79
EST9	1	960	1.6	7.3	7.3	72(+13)	66(+19)	61(+18)	60(+18)	60(+17)	57(+19)	51(+18)	48(+20)	154
EST11A	3	1225	0.37	1.3	1.3	73(-3)	67(+3)	62(+9)	63(+11)	55(+9)	49(+11)	45(+9)	47(+11)	77.5
EST11B	3	1225	0.55	1.7	1.7	74(-2)	68(+4)	64(+8)	65(+10)	57(+8)	52(+9)	48(+7)	49(+10)	82.4
EST12A	3	1400	0.55	1.7	1.7	75(-5)	71(+1)	66(+6)	66(+9)	58(+7)	51(+8)	45(+5)	51(+8)	82.4
EST12B	3	1400	0.75	2.1	2.1	74(-1)	70(+5)	65(+9)	66(+12)	58(+9)	51(+11)	44(+9)	50(+11)	84.4
EST12C	3	1400	1.1	2.9	2.9	77(-2)	73(+4)	67(+9)	69(+10)	60(+8)	54(+10)	47(+11)	53(+10)	90.4
EST13A	3	1085	0.75	2.1	2.1	70(+5)	67(+8)	67(+8)	63(+8)	56(+8)	57(+7)	51(+7)	50(+6)	116
EST13B	3	1085	1.1	2.9	2.9	72(-1)	68(+6)	69(+8)	65(+8)	58(+8)	59(+7)	54(+7)	52(+7)	116
EST13C	3	1085	1.5	3.7	3.7	73(-2)	69(+5)	70(+7)	64(+9)	59(+7)	61(+5)	55(+6)	52(+7)	125
EST14A	3	1225	1.1	2.55	2.55	73(-1)	68(+5)	68(+7)	62(+10)	56(+8)	58(+6)	48(+7)	50(+8)	116
EST14B	3	1225	1.5	3.7	3.7	74(-1)	68(+7)	68(+10)	63(+11)	57(+10)	59(+8)	49(+12)	50(+10)	125
EST14C	3	1225	2.2	5.4	5.4	75(-1)	70(+7)	71(+9)	65(+11)	60(+9)	62(+7)	55(+9)	53(+9)	134
EST15A	3	925	2.2	5.4	5.4	80(+1)	79(+1)	78(+8)	76(+8)	73(+7)	70(+6)	64(+9)	62(+8)	168.7

Fan size 11A to 25B inc. are belt drive and cannot be mounted at an angle no greater than 5°.

Please contact your local Nuaira Technical Sales Engineer or the Technical Department to discuss your application requirements.

Units EST20 to EST25 inc. have top and side access as standard. **Please insert R or B into code for spigot position eg. EST11B-B.**

Breakout dB@3m is hemispherical free field. The electrical and sound information in the table is nominal.

QUIETSCROLL EXTERNAL TWIN FANS EST-R AND EST-B CONT.

ELECTRICAL, SOUND & WEIGHT

Code/ Curve	Phase	RPM	Motor power (kW)	FLC (amps)	SC (amps)	Induct inlet Sound Power levels dB re lpW (+ correction for open outlet)						Open inlet (Open outlet) dBA@3m	Weight (Kg)	
						125	250	500	1K	2K	4K			8K
EST15B	3	925	3	6.9	6.9	83(+3)	81(+2)	79(+8)	78(+9)	76(+9)	74(+10)	68(+12)	65(+9)	174.6
EST16A	3	1040	1.5	3.7	3.7	80(0)	80(0)	75(+7)	75(+7)	73(+6)	71(+6)	67(+8)	62(+6)	159.6
EST16B	3	1040	2.2	5.4	5.4	81(+3)	81(+1)	76(+11)	76(+11)	74(+9)	71(+9)	68(+9)	63(+10)	168.7
EST16C	3	1040	3	6.9	6.9	81(+2)	82(0)	77(+10)	77(+10)	74(+8)	71(+9)	68(+8)	63(+9)	174.6
EST16D	3	1040	4	10	10	84(+2)	82(-1)	80(+9)	79(+9)	77(+8)	75(+9)	70(+8)	66(+8)	193.6
EST17A	3	1160	2.2	5.4	5.4	83(0)	81(-1)	75(+6)	76(+7)	74(+5)	73(+5)	69(+6)	63(+6)	168.7
EST17B	3	1160	3	6.9	6.9	84(0)	82(0)	76(+11)	77(+9)	75(+8)	73(+7)	70(+7)	64(+9)	174.6
EST17C	3	1160	4	10	10	84(-1)	83(-1)	77(+10)	78(+8)	75(+7)	73(+7)	70(+6)	64(+8)	193.6
EST17D	3	1160	5.5	12	12	85(-1)	83(-2)	80(+9)	80(+7)	77(+7)	76(+7)	71(+6)	67(+7)	231.6
EST18A	3	1260	2.2	5.4	5.4	83(-2)	84(-2)	78(+6)	80(+5)	76(+5)	75(+4)	69(+5)	66(+5)	168.7
EST18B	3	1260	3	6.9	6.9	84(0)	83(-3)	79(+8)	80(+5)	77(+6)	74(+5)	69(+7)	66(+6)	174.6
EST18C	3	1260	4	10	10	84(-1)	83(-2)	79(+7)	80(+5)	77(+5)	74(+6)	69(+7)	66(+6)	193.6
EST18D	3	1260	5.5	120	120	85(-1)	83(-2)	81(+7)	81(+5)	78(+5)	76(+6)	71(+7)	67(+6)	231.6
EST19A	3	1440	3	6.9	6.9	90(-1)	83(-2)	82(+5)	80(+4)	79(+5)	78(+3)	73(+4)	68(+4)	174.6
EST19B	3	1440	4	10	10	87(-5)	82(-1)	81(+5)	79(+5)	79(+3)	77(+2)	73(+3)	67(+4)	193.6
EST19C	3	1440	5.5	12	12	86(-2)	84(0)	82(+5)	81(+6)	79(+3)	77(+3)	73(+3)	68(+5)	231.6
EST20A	3	700	1.5	3.7	3.7	83(-1)	81(-3)	79(+7)	68(+5)	69(+4)	62(+4)	63(+4)	61(+5)	682
EST20B	3	700	2.2	5.4	5.4	83(-1)	80(-2)	80(+6)	69(+5)	68(+4)	62(+3)	62(+5)	61(+5)	691
EST20C	3	700	3	6.9	6.9	83(-1)	80(-2)	80(+7)	69(+5)	68(+4)	61(+3)	62(+4)	61(+6)	697
EST20D	3	700	4	10	10	83(+1)	81(-1)	81(+8)	70(+6)	67(+6)	60(+5)	60(+6)	62(+6)	716
EST20E	3	700	5.5	12	12	86(0)	84(-1)	84(+7)	73(+6)	70(+5)	63(+5)	63(+6)	65(+6)	730
EST21A	3	800	2.2	5.4	5.4	86(-1)	83(-2)	83(+6)	72(+5)	71(+4)	65(+3)	65(+5)	64(+5)	691
EST21B	3	800	3	6.9	6.9	86(+2)	83(-2)	83(+8)	72(+5)	71(+5)	64(+6)	65(+7)	64(+7)	697
EST21C	3	800	4	10	10	86(+1)	84(-1)	84(+8)	73(+6)	70(+6)	63(+5)	63(+6)	65(+7)	716
EST21D	3	800	5.5	12	12	89(0)	87(-2)	87(+6)	76(+5)	73(+5)	66(+4)	66(+5)	68(+5)	730
EST21E	3	800	7.5	16	16	90(0)	88(-2)	87(+7)	77(+5)	74(+5)	67(+4)	67(+5)	68(+6)	750
EST22A	3	900	3	6.9	6.9	88(-1)	85(-2)	85(+6)	74(+5)	73(+4)	67(+3)	67(+5)	66(+5)	697
EST22B	3	900	4	10	10	88(0)	85(-3)	85(+5)	74(+4)	73(+5)	66(+3)	67(+4)	66(+4)	716
EST22C	3	900	5.5	12	12	88(+1)	86(-1)	86(+8)	75(+6)	72(+6)	65(+5)	65(+6)	67(+6)	730
EST22D	3	900	5.5	16	16	91(0)	89(-2)	89(+6)	78(+5)	75(+5)	68(+4)	68(+5)	70(+5)	750
EST23A	3	1000	4	10	10	90(-4)	87(-2)	87(+5)	76(+5)	75(+3)	69(+2)	69(+3)	68(+4)	716
EST23B	3	1000	5.5	12	12	90(-1)	87(-2)	87(+7)	76(+5)	75(+4)	68(+3)	69(+4)	68(+6)	730
EST23C	3	1000	7.5	16	16	90(+1)	88(-1)	88(+8)	77(+6)	74(+6)	67(+5)	67(+6)	69(+6)	750
EST23D	3	1000	11	23	23	93(0)	91(-2)	91(+6)	80(+5)	77(+5)	70(+4)	70(+5)	72(+5)	794
EST24A	3	1100	5.5	12	12	92(-1)	89(-2)	89(+6)	78(+5)	77(+4)	71(+3)	71(+5)	70(+5)	730
EST24B	3	1100	7.5	16	16	92(-1)	89(-2)	89(+7)	78(+5)	77(+4)	70(+3)	71(+4)	70(+6)	750
EST24C	3	1100	11	23	23	92(+1)	90(-1)	90(+8)	79(+6)	76(+6)	69(+5)	69(+6)	71(+6)	794
EST25A	3	1200	7.5	16	16	93(-1)	90(-2)	90(+6)	79(+5)	78(+4)	72(+3)	72(+5)	71(+5)	750
EST25B	3	1200	11	23	23	93(-1)	90(-2)	90(+7)	79(+5)	78(+4)	71(+3)	72(+4)	71(+6)	794

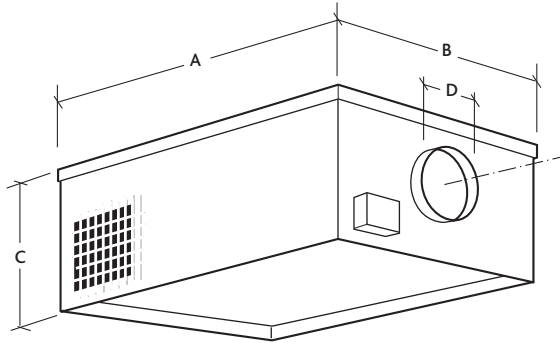
Fan size 11A to 25B inc. are belt drive and cannot be mounted at an angle of no greater than 5°.

Please contact your local Nuair Technical Sales Engineer or the Technical Department to discuss your application requirements.

Units EST20 to EST25 inc. have top and side access as standard. **Please insert R or B into code for spigot position eg. EST11B-B.**

Breakout dBA@3m is hemispherical free field. The electrical and sound information in the table is nominal.

DIMENSIONS QUIETSCROLL EXTERNAL TWIN FANS EST-R



Note: Case sizes 20-25-R have rectangular spigots.

DIMENSIONS (mm)

Fan Code	A	B	C	Circular Spigot D dia	Rectangular Spigot
EST1-R	705	505	355	125	-
EST2-R	875	720	400	200	-
EST3-R	970	720	485	200	-
EST4-R	1165	980	575	250	-
EST5-R	1165	980	575	400	-
EST6-R	1165	980	575	400	-
EST9-R	1495	1125	710	500	-
EST11-12-R	974	974	622	400	-
EST13-14-R	1233	1233	701	500	-
EST15-19-R	1430	1635	780	630	-
EST20-25-R	2030	2313	1183	N/A	1200 x 700

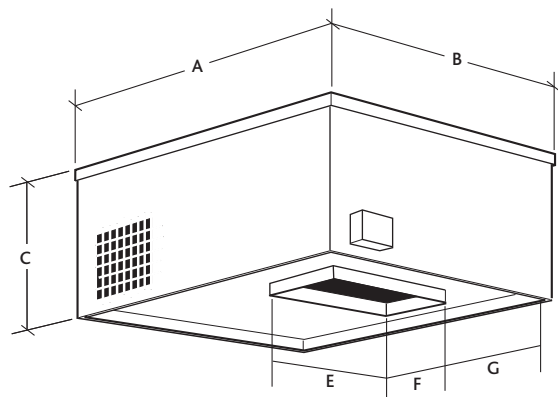
QUICK SELECTION GUIDE

EST-R – EXTERNAL TWIN FANS

Fan Code	Duct Mounted Silencer	End Inlet Flexible Connector	Roof Curb
EST1-R	CA25S	CFC12	ESPFC1
EST2-R	CA25S	CFC20	ESPFC2
EST3-R	CA25S	CFC20	ESPFC3
EST4-R	CA25S	CFC25	ESPFC4
EST5-R	CA40S	CFC40	ESPFC4
EST6-R	CA40S	CFC40	ESPFC4
EST9-R	CA50S	CFC50	ESPFC5
EST11-R	CA40S	CFC40	ESPFC4B
EST12-R	CA40S	CFC40	ESPFC4B
EST13-R	CA50S	CFC50	ESPFC5B
EST14-R	CA50S	CFC50	ESPFC5B
EST15-R	CA63S	CFC63	ESPFC6B
EST16-R	CA63S	CFC63	ESPFC6B
EST17-R	CA63S	CFC63	ESPFC6B
EST18-R	CA63S	CFC63	ESPFC6B
EST19-R	CA63S	CFC63	ESPFC6B
EST20-R	CA100S	FXRC11	Note 1
EST21-R	CA100S	FXRC11	Note 1
EST22-R	CA100S	FXRC11	Note 1
EST23-R	CA100S	FXRC11	Note 1
EST24-R	CA100S	FXRC11	Note 1
EST25-R	CA100S	FXRC11	Note 1

Note: Roof curb sizes EST20R - 25R & EST20B - 25B are a builders requirements.

DIMENSIONS QUIETSCROLL EXTERNAL TWIN FANS EST-B



DIMENSIONS (mm)

Fan Code	A	B	C	Rectangular Spigots		
				E	F	G
EST1-B	705	505	355	153	77	124
EST2-B	875	720	400	229	128	121
EST3-B	970	720	485	229	127	124
EST4-B	1165	980	575	305	152	162
EST5-B	1165	980	575	458	230	123
EST6-B	1165	980	575	458	230	123
EST9-B	1495	1125	710	762	304	158
EST11-12-B	974	974	622	458	230	136.5
EST13-14-B	1233	1233	701	762	304	185
EST15-19-B	1430	1635	780	889	381	155
EST20-25-B	2030	2313	1183	1200	700	-

For details on EST20-25B contact Nuair.

QUICK SELECTION GUIDE

EST-B – EXTERNAL TWIN FANS

Fan Code	Duct Mounted Silencer	End Inlet Flexible Connector	Roof Curb
EST1-B	SIL125	FXRC1	ESPFC1
EST2-B	SIL200	FXRC4	ESPFC2
EST3-B	SIL250	FXRC4	ESPFC3
EST4-B	SIL315	FXRC5	ESPFC4
EST5-B	ES5SIL	FXRC7	ESPFC4
EST6-B	ES6SIL	FXRC7	ESPFC4
EST9-B	ES8SIL	FXRC9	ESPFC5
EST11-B	ES6SIL	FXRC7	ESPFC4B
EST12-B	ES6SIL	FXRC7	ESPFC4B
EST13-B	ES7SIL	FXRC9	ESPFC5B
EST14-B	ES8SIL	FXRC9	ESPFC5B
EST15-B	CA63S	FXRC10	ESPFC6B
EST16-B	CA63S	FXRC10	ESPFC6B
EST17-B	CA63S	FXRC10	ESPFC6B
EST18-B	CA63S	FXRC10	ESPFC6B
EST19-B	CA63S	FXRC10	ESPFC6B
EST20-B	CA100S	FXRC11	Note
EST21-B	CA100S	FXRC11	Note
EST22-B	CA100S	FXRC11	Note
EST23-B	CA100S	FXRC11	Note
EST24-B	CA100S	FXRC11	Note
EST25-B	CA100S	FXRC11	Note

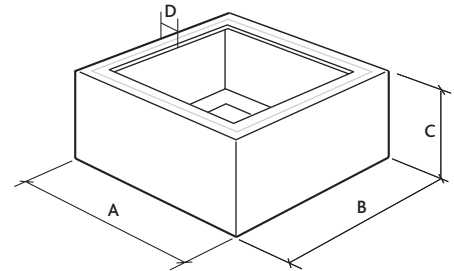
Note: Roof curb sizes EST20R-25R and EST20B-25B are a builder's requirement

DIMENSIONS - PREFABRICATED CURB

Manufactured in aluminium alloy these curbs will reduce design work and guarantee correct unit mounting when on site.

DIMENSIONS (mm)

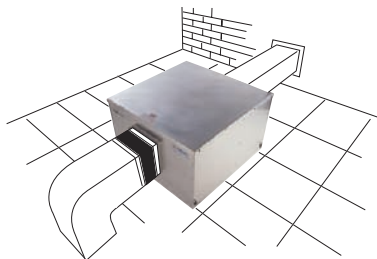
Unit code	Prefab Curb	A	B	C	D
EST1	ESPFC1	635	435	250	50
EST2	ESPFC2	805	650	250	50
EST3	ESPFC3	900	650	250	50
EST4	ESPFC4	1095	910	250	50
EST5	ESPFC4	1095	910	250	50
EST6	ESPFC4	1095	910	250	50
EST9	ESPFC5	1425	1045	250	50
EST11-12*	ESPFC4/B	917	917	250	75
EST13-14*	ESPFC5/B	1173	1173	250	100
EST15-19*	ESPFC6/B	1136	1374	250	100



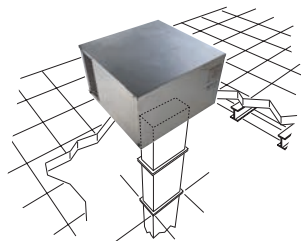
Note: Upper faces of curb are fitted with robust sealing strip.

Codes ESPFC* (typical) Note: Roof curb sizes EST20R-25R and EST20B-25B are a builder's work requirement

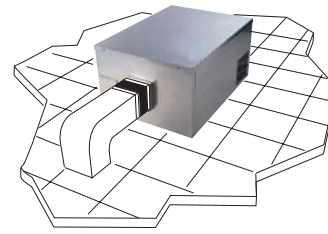
DIMENSIONS - ROOF OPENING AND CURB



EST 11B - X

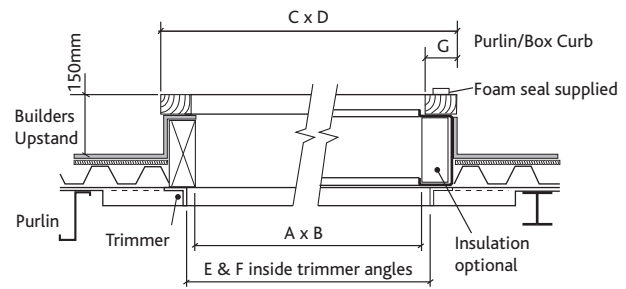
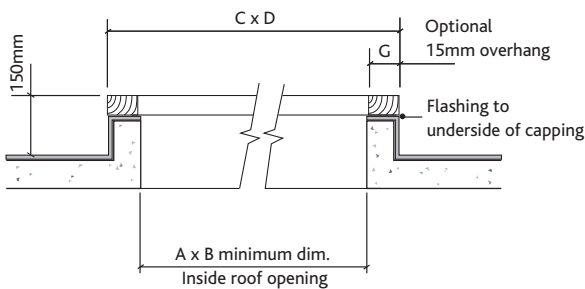


EST 11B - B



EST 11B - R

Code examples:



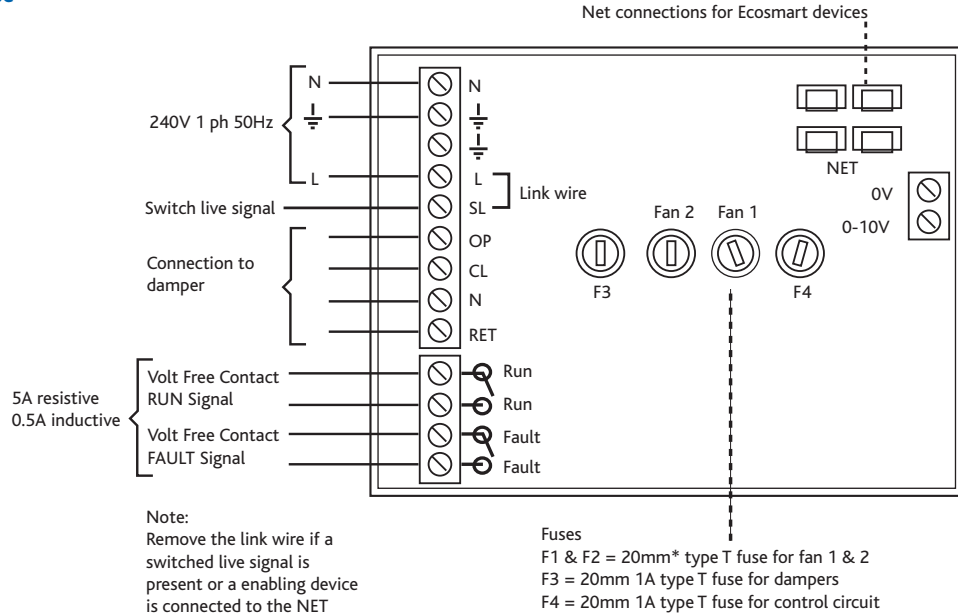
DIMENSIONS (mm)

Unit code	A	B	C	D	E	F	G
EST1	535	335	665	465	621	421	50
EST2	700	550	830	680	791	636	50
EST3	795	550	925	680	886	636	50
EST4	940	760	1120	940	1105	920	75
EST5	940	760	1120	940	1105	920	75
EST6	940	760	1120	940	1105	920	75
EST9	1265	900	1445	1080	1435	1065	75
EST11-12	767	767	947	947	837	837	75
EST13-14	973	973	1203	1203	1064	1064	100
EST15-19	1169	1375	1399	1605	1268	1471	100

Note: Roof curb sizes EST20R-25R and EST20B-25B are a builder's work requirement

WIRING - QUIETSCROLL

Single Phase

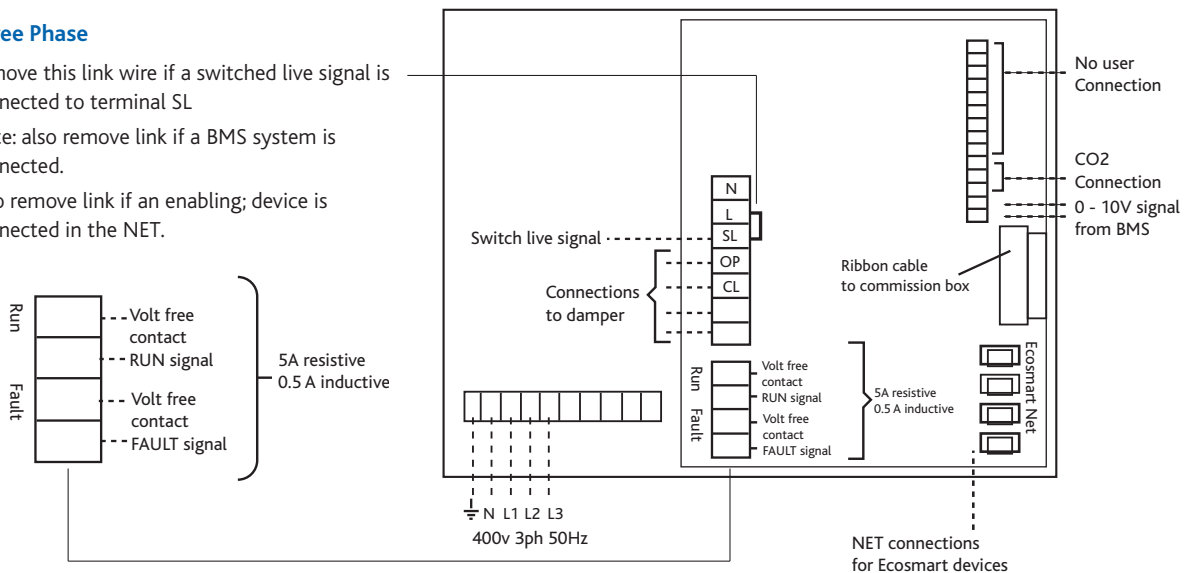


Three Phase

Remove this link wire if a switched live signal is connected to terminal SL

Note: also remove link if a BMS system is connected.

Also remove link if an enabling device is connected in the NET.

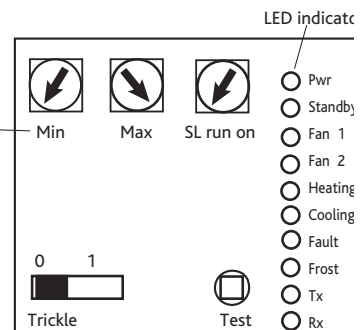


Set Up/Commissioning box

LED Indication

- PWR GREEN: Power on & OK, Standby LED on when fan is not running.
- Fan 1 GREEN: Fan 1 is running, RED: Fan 1 faulty.
- Fan 2 GREEN: Fan 2 is running, RED: Fan 2 faulty.
- Heating* Not applicable. See note.
- Cooling* Not applicable. See note.
- Fault LED on when a fault is present on unit.
- Frost* Not applicable. See note.
- Tx LED on when the controller is transmitting data.
- Rx LED on when the controller is receiving data.

- MIN = Minimum speed adjustment
- MAX = Maximum speed adjustment
- SL Run on = Switched Live Run-On Timer adjustment
- TRICKLE = Selects trickle running: 0 = off, 1 = selected
- TEST = Test button



* Note that the control panel is common to all the Ecosmart products and will have indicators for functions that are not available in this particular fan. However these indicators will not be illuminated.

CONSULTANTS SPECIFICATION

VENTILATION SYSTEM DESCRIPTION

The main extract twinfan shall be as indicated on the drawings and in accordance with the relevant fan schedule. The vitiated air shall be extracted from the space using an energy efficient demand ventilation principle; the system shall have its volume flow rate of air varied by a range of low voltage sensors and enablers.

FAN DESCRIPTION

The unit shall be manufactured from heavy gauge, corrosion resistant Aluzinc steel, internally coated with fire retardant acoustic material. Fully detachable panels for maintenance/service and manometer test points. It shall have an integrated upstream attenuator keeping system noise levels to an absolute minimum. (Units 1-9).

Run and standby fan assemblies to incorporate fan impeller and motors selected to provide the most energy efficient solution conforming to part L regulations and shall be direct or belt drive with IE2 high efficiency motors to BS5000 as standard, belt or direct drive with EN60034-30 motors fitted with "hall effect" air flow failure monitoring, units suitable for operation in ambient temperatures of 40 degrees C.

The Fan unit shall have a 5 year warranty.

The unit and ancillaries shall be of the Quietscroll type with Ecosmart controls as manufactured by Nuair Ltd.

INSTALLATION REQUIREMENTS

The mechanical contractor shall ensure that all necessary ancillaries are included e.g. AV mounts, flexible connections, attenuators, etc.

The contractor shall allow for all necessary ductwork transformations to and from the fan unit and any associated components in accordance with the manufacturers recommendations, DW 144 and general good practice.

SYSTEM OPERATION

The extract fan shall automatically vary its speed as it receives signals from one of the interconnected sensors. When the signal is received the fan shall either increase speed gradually until the required level is achieved or it will work on a trickle and boost principle. This will then move the fan duty point from trickle/background ventilation rate to the required boost ventilation rate. Both the trickle and boost rates are infinitely variable, easy to adjust and remove the need of a main balancing damper in accordance with Part L.

CONSULTANTS SPECIFICATION

FAN CONTROL DESCRIPTION

The acoustically lined low noise Twinfan shall be controlled by an integrated Ecosmart control panel mounted within the fan unit. The Ecosmart control enables the fan's speed to be varied automatically as conditions in the ventilated space change by linking low voltage sensors or as the low voltage user control is adjusted. It also enables multiple fans to be directly interlinked. The fans shall have the following energy saving and operational functions integrally installed within it, all components will be pre-wired and fitted by the manufacturer:

- Auto-change over on fan failure.
- Auto duty share every 12 hours of run time.
- Integral Frequency inverter/speed controller.
- Integral adjustable run-on timer.
- Maximum and minimum speed adjustment/setting (trickle and boost).
- Volt free run & failure/status indication.
- 0-10V BMS interface for remote operation.
- Low voltage interface with second fan or supply fan.
- Multiple low voltage sockets for interconnection of sensors or fans.
- Background ventilation/trickle enable switch.

Fan, Ecosmart controls and associated sensors/controllers shall be manufactured by Nuair Ltd.

INSTALLATION

By the appointed contractor.

Mechanical installation requires mounting of the extract unit in the designated position and connection to the associated duct work.

Electrical installation requires the provision and connection of single or three phase electrical supply at the fan.

The user control and low voltage sensor are supplied complete with a 10m length of low voltage, pre-plugged cable.

COMMISSIONING

By the appointed commissioning engineer.

The systems should be commissioned in the normal way and the minimum and maximum speed adjustment with the Ecosmart control panel should be set to provide the required ventilation rates. These should be adjusted until the required air volume flow rate is achieved on the approved measuring device.

The manufacturer's recommendations should be observed at all times.